

www.caddeskpune.com

+91-8793166470



CORE SOFTECH Pune : Hadapsar & Swaragte

ISO 9001:2015 Certified Company



CAD DESK®

TRAINING • PLACEMENT • SOFTWARE • CONSULTANCY



E Learning
Using Online
tools video, text
or audio
You Tube, Recorded Videos -LMS

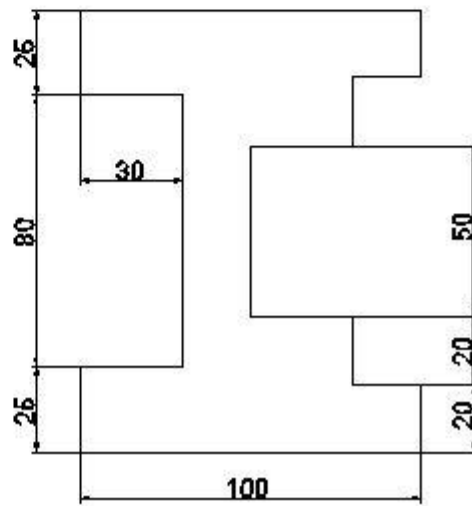
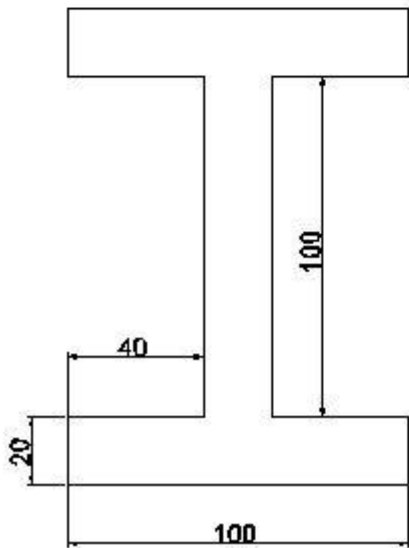
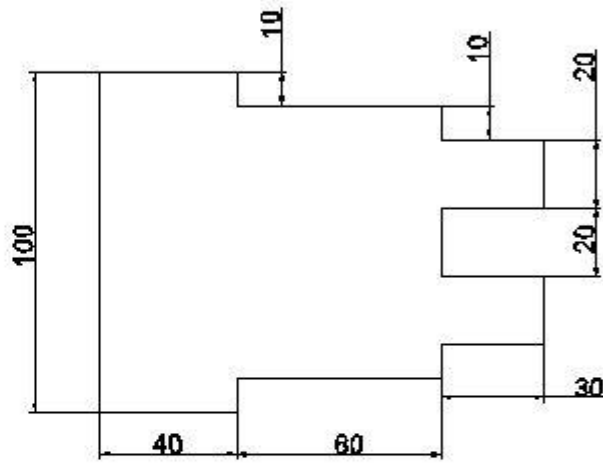
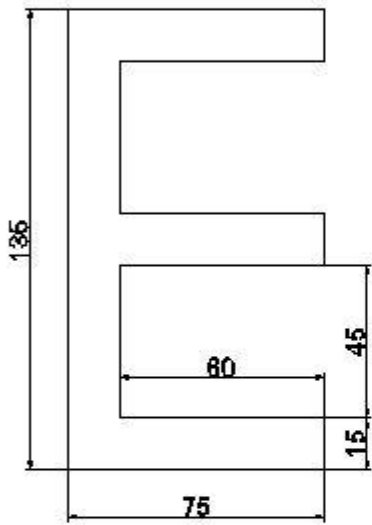
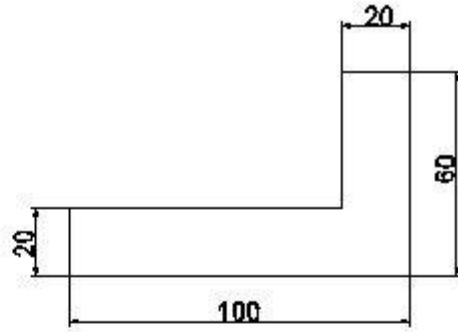
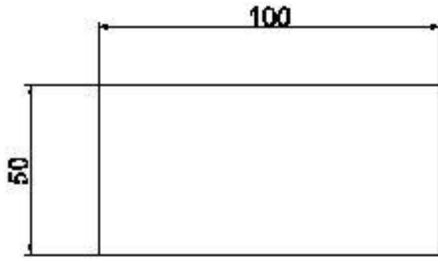


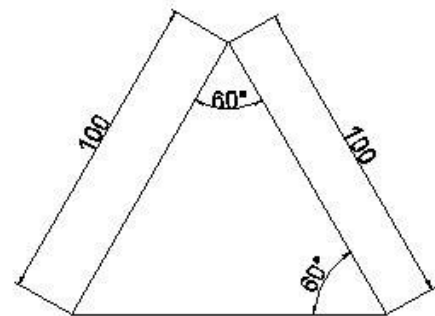
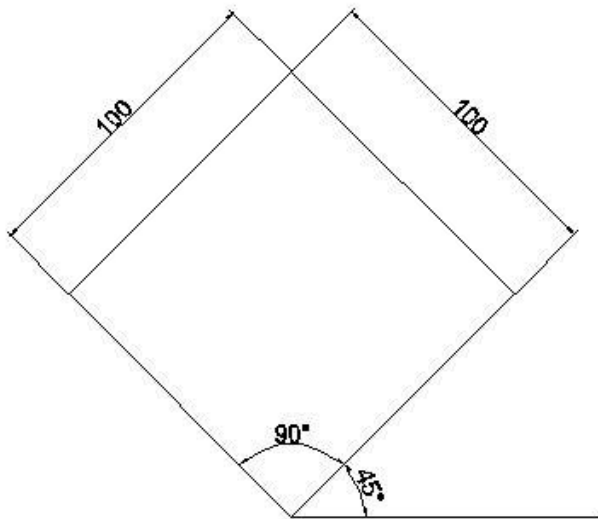
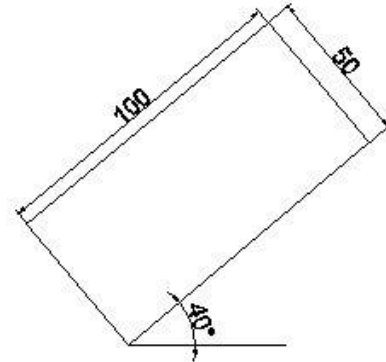
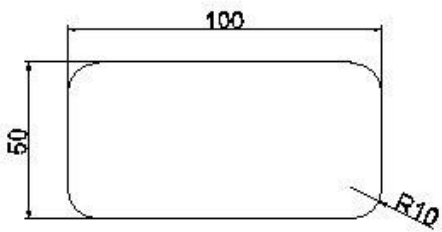
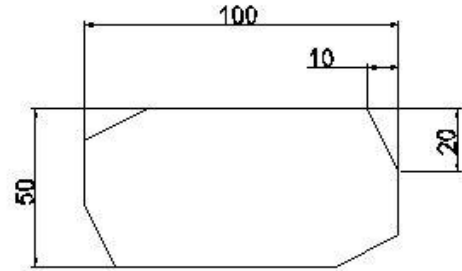
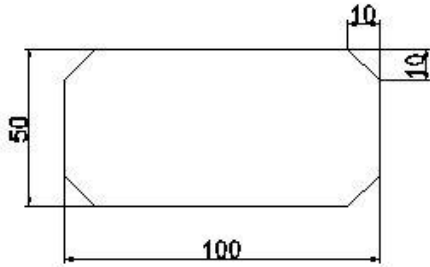
Virtual Classroom
E.g. Group
coaching online
ZOOM, Skype, Google Meeting

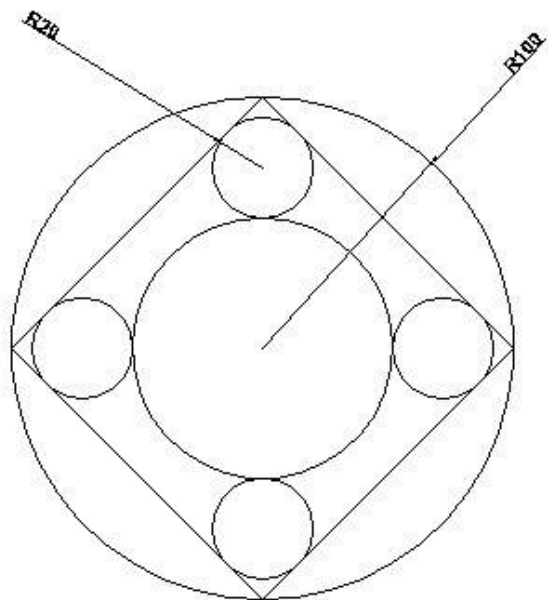
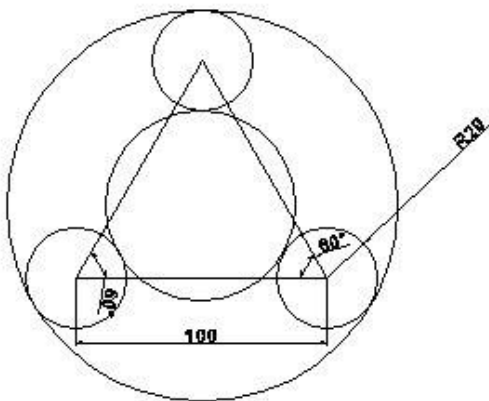
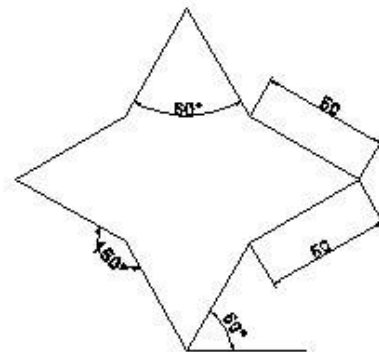
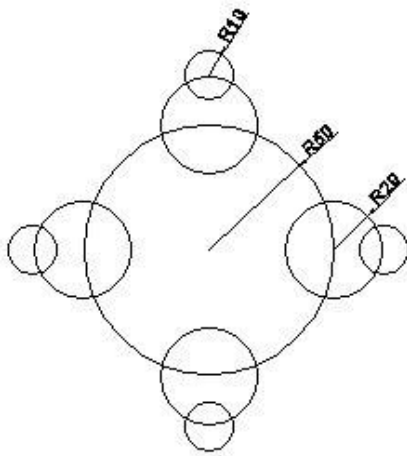
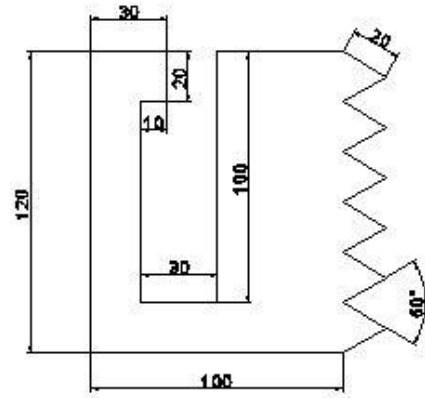
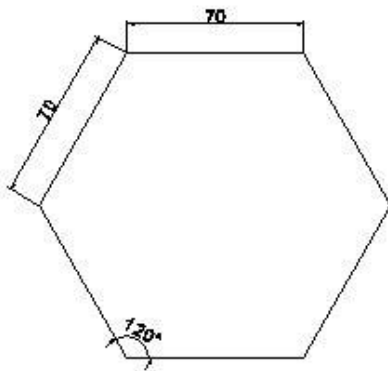
E-Learning / live class

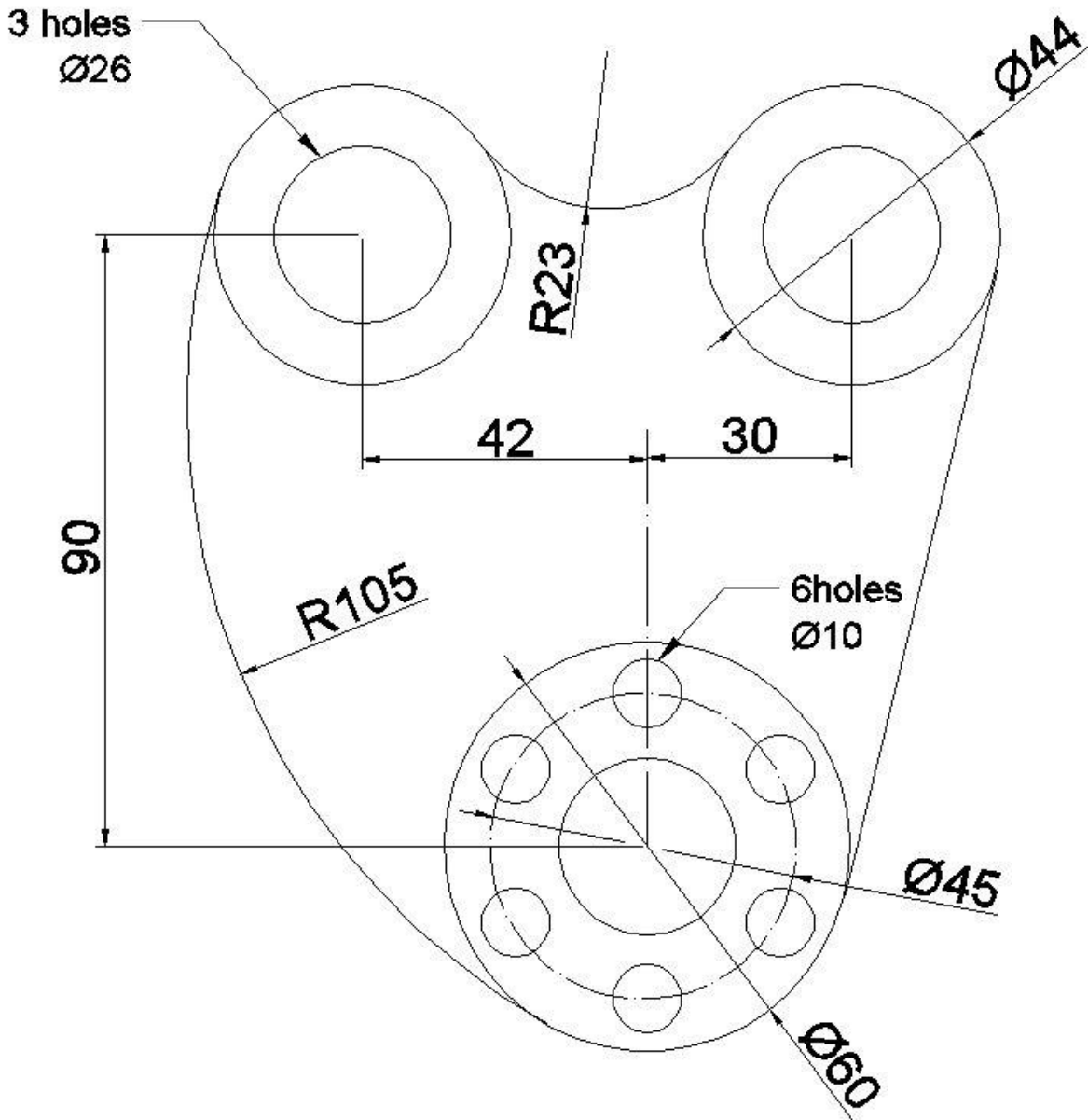
Ts Training
demy
Training + Academy

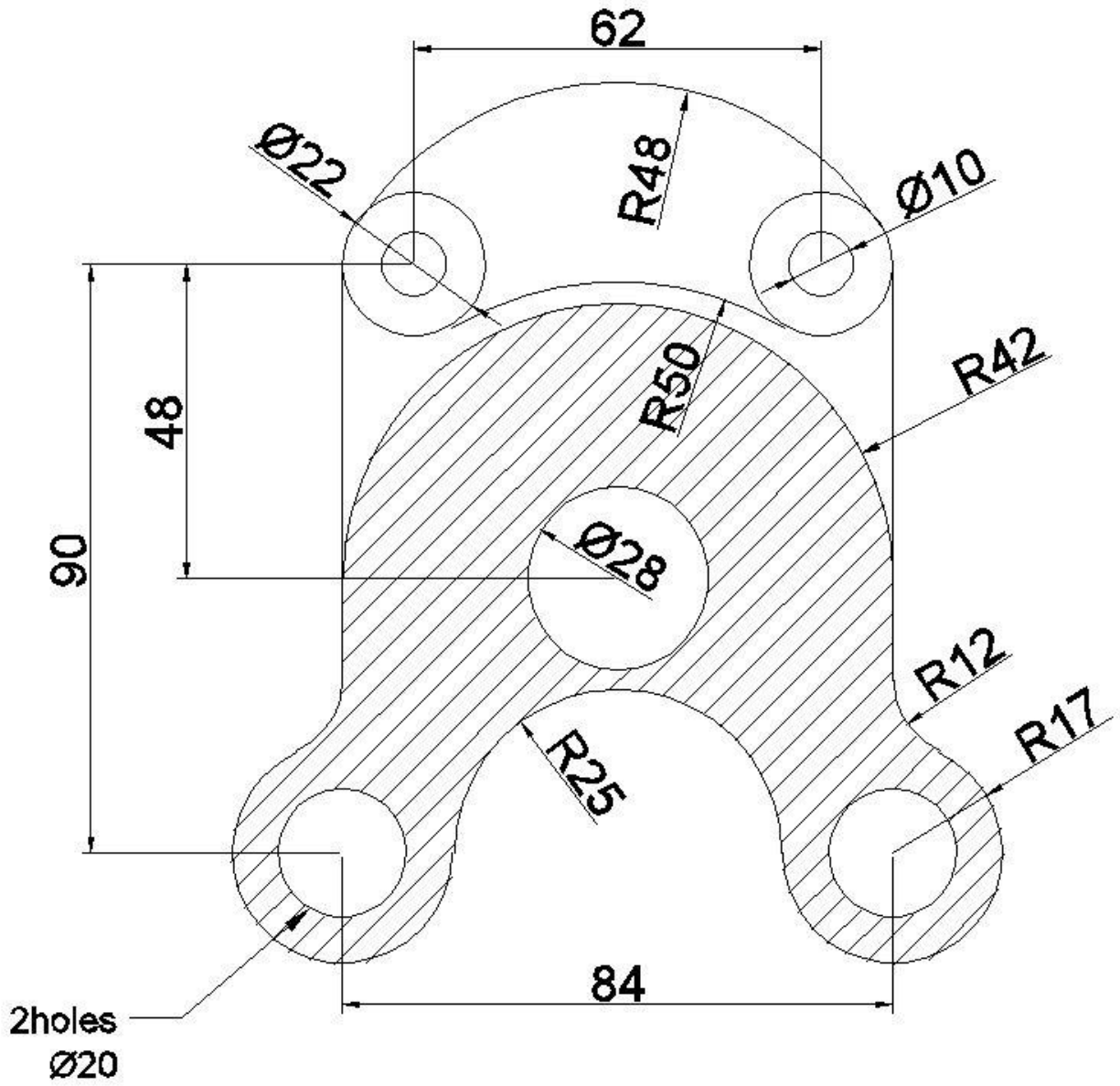
Practice E Work Book

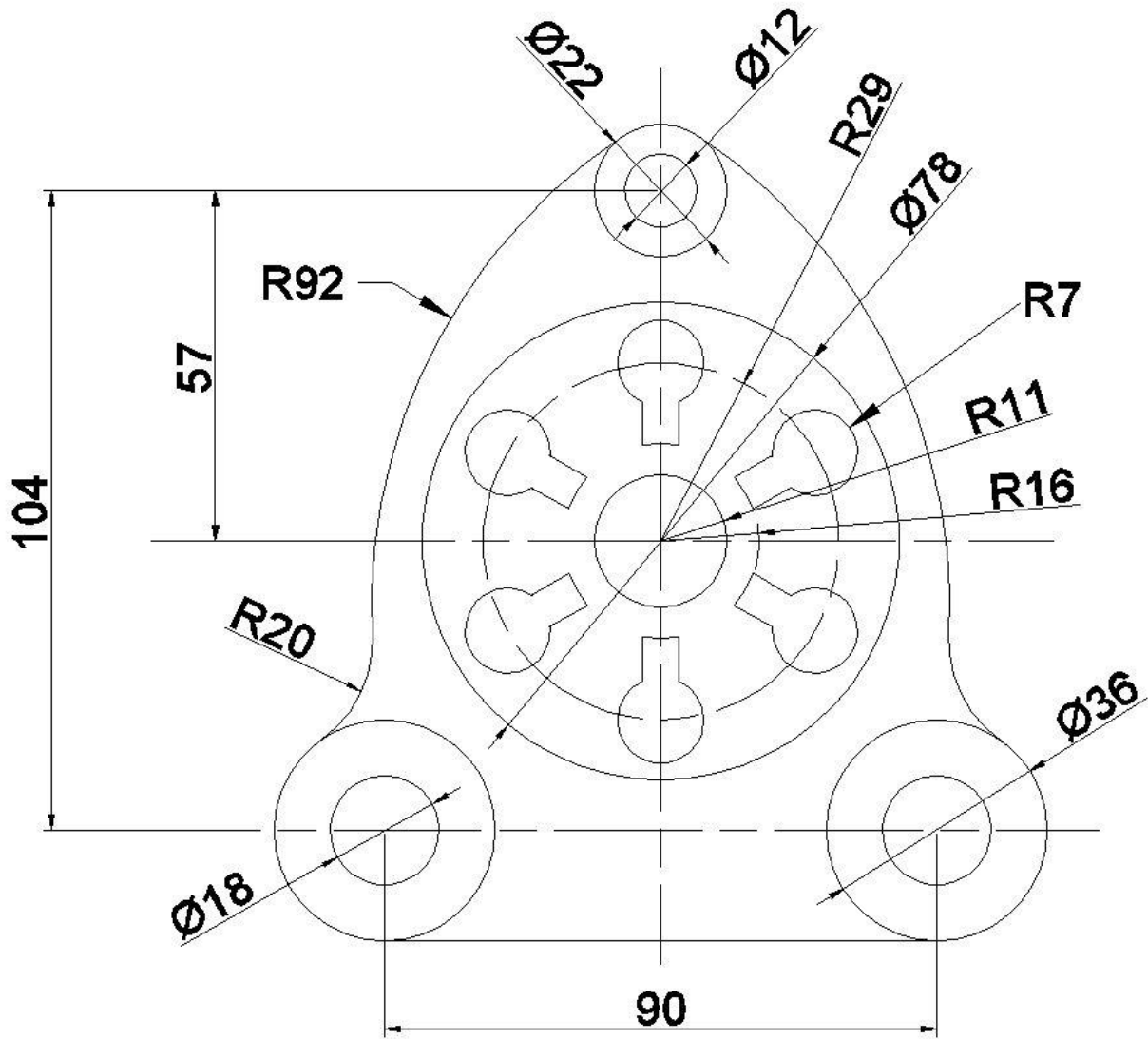


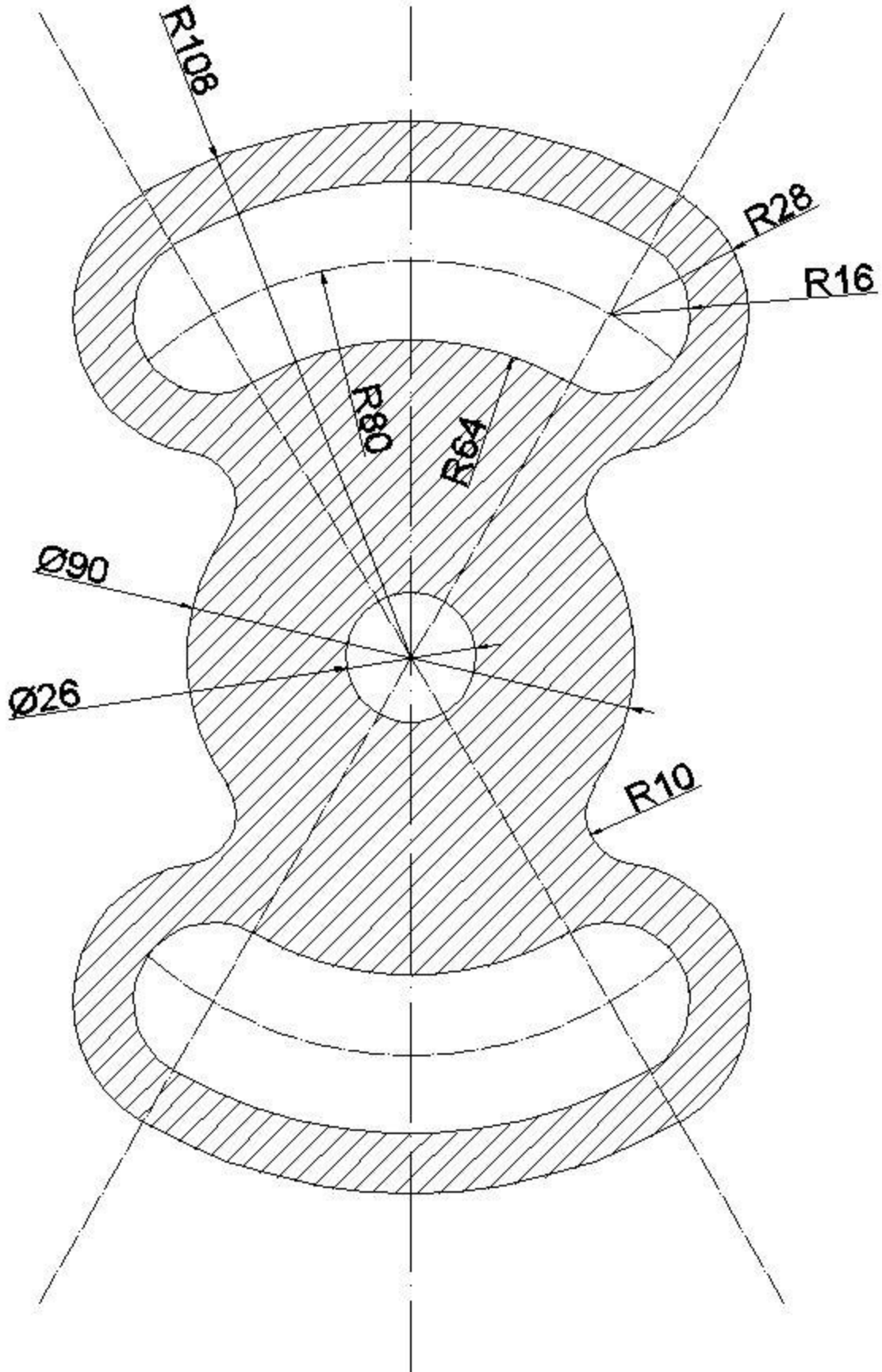


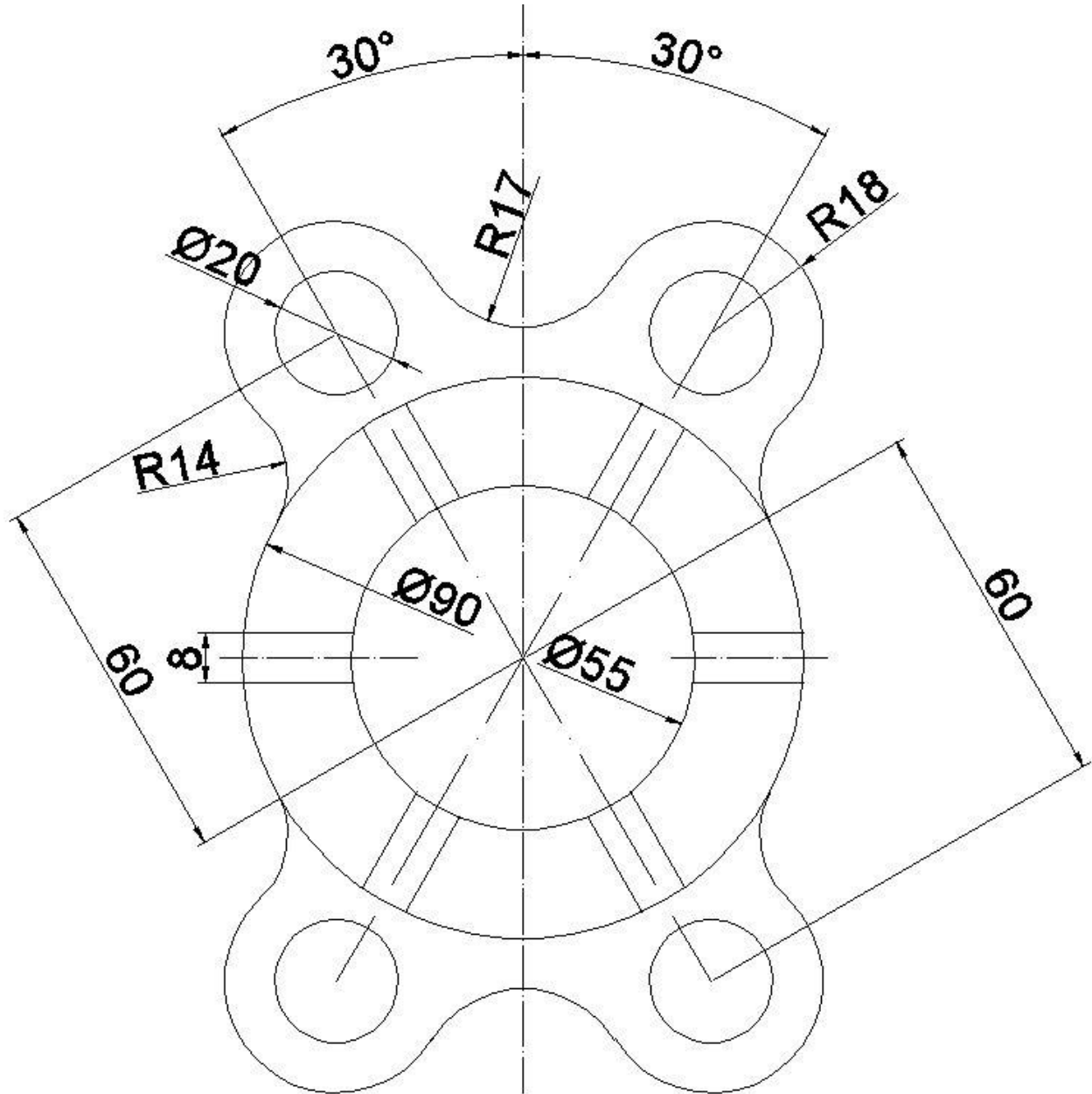


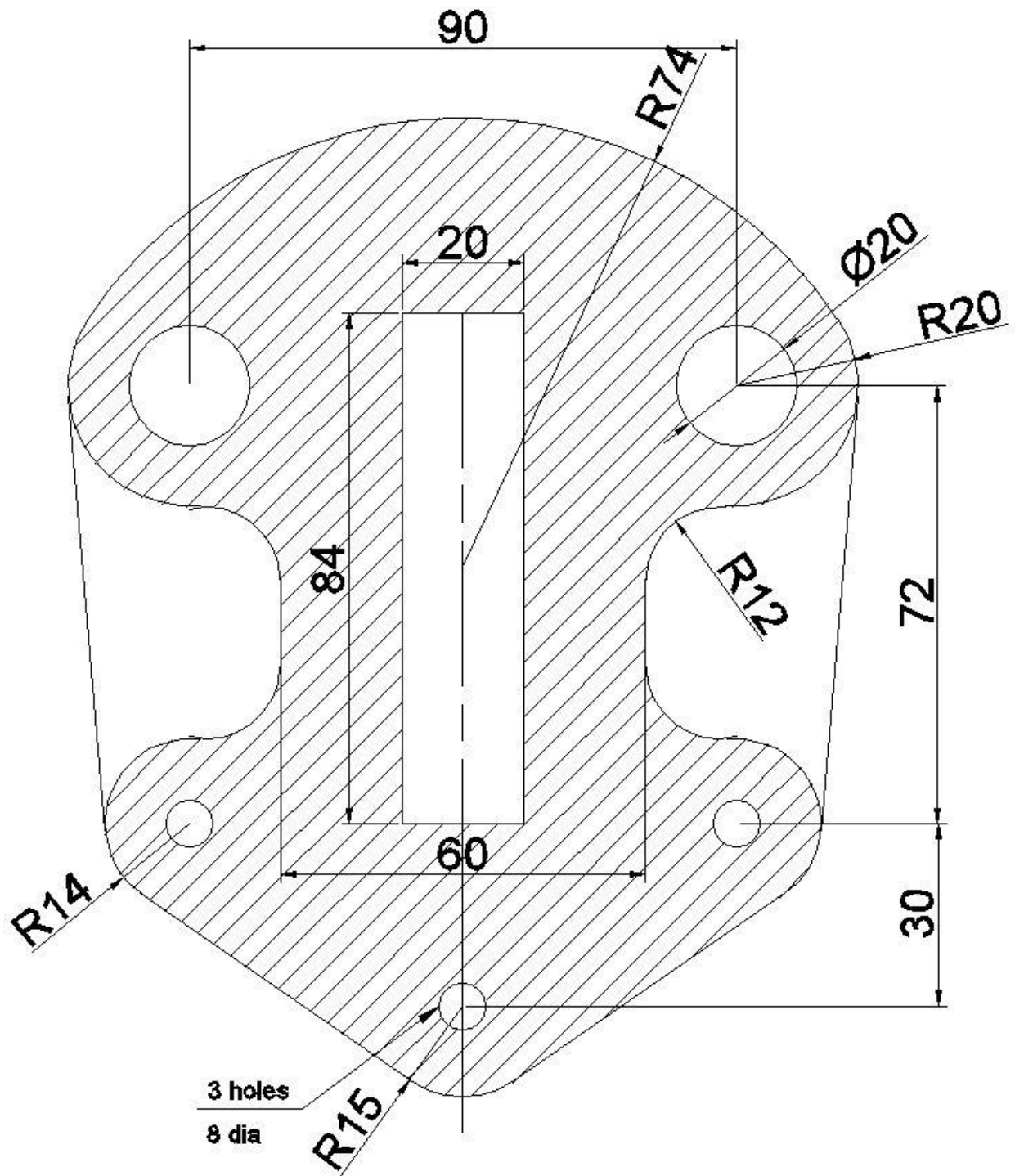


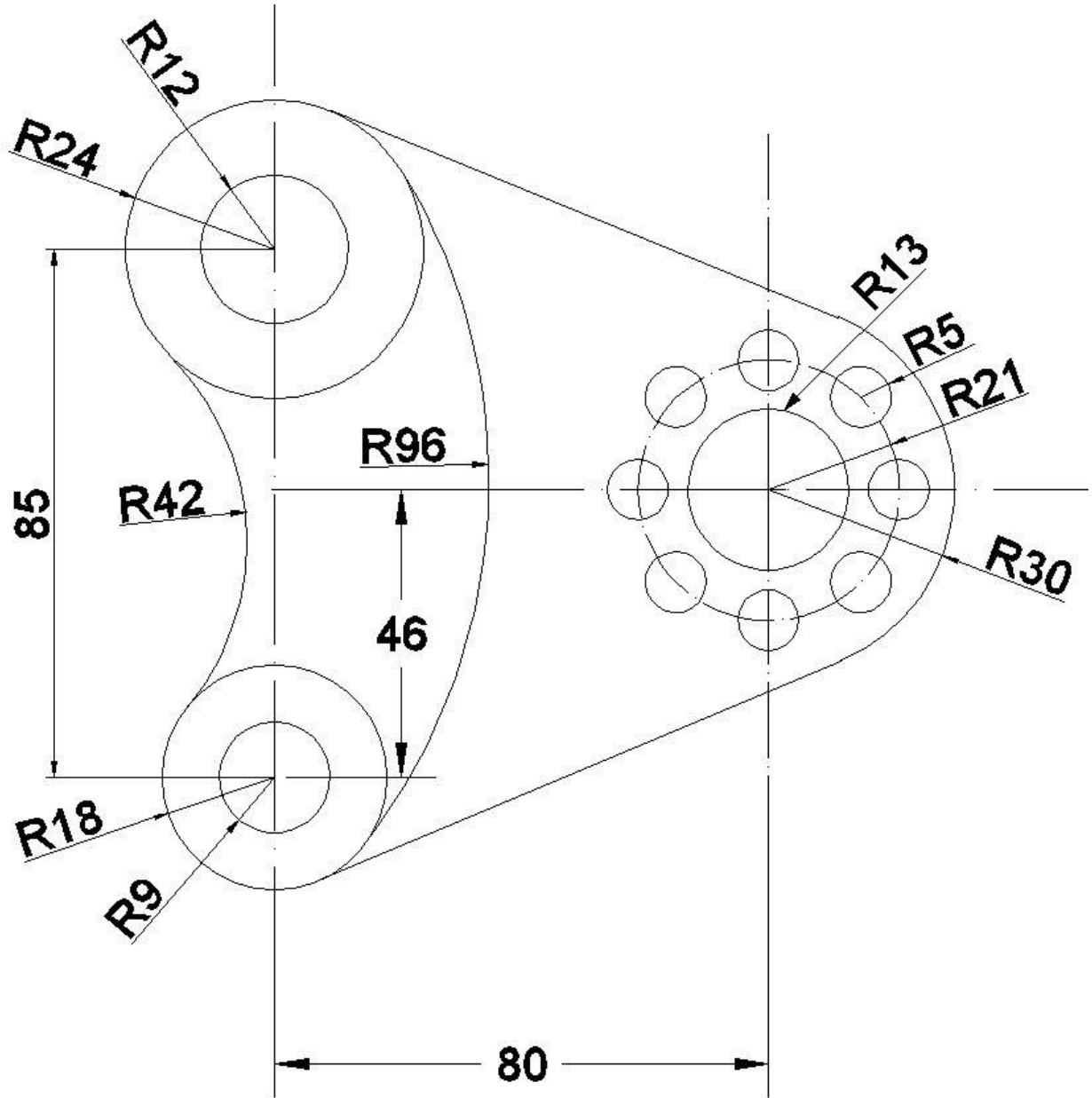


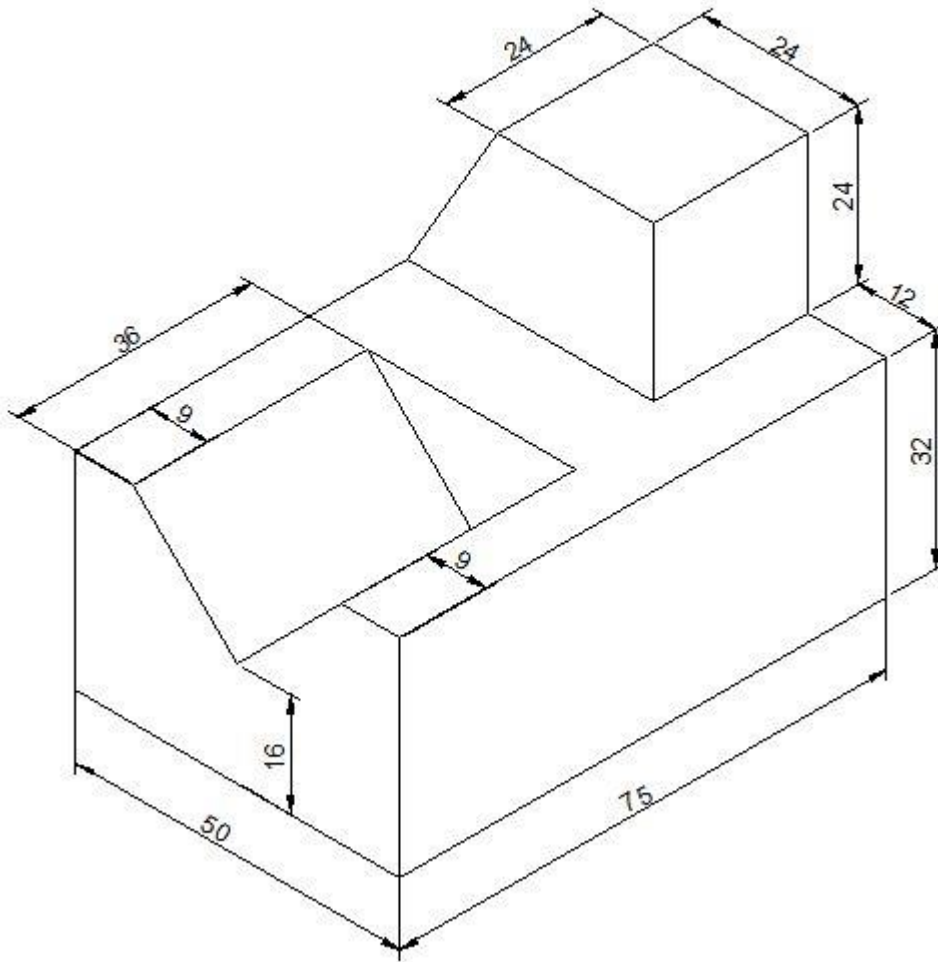


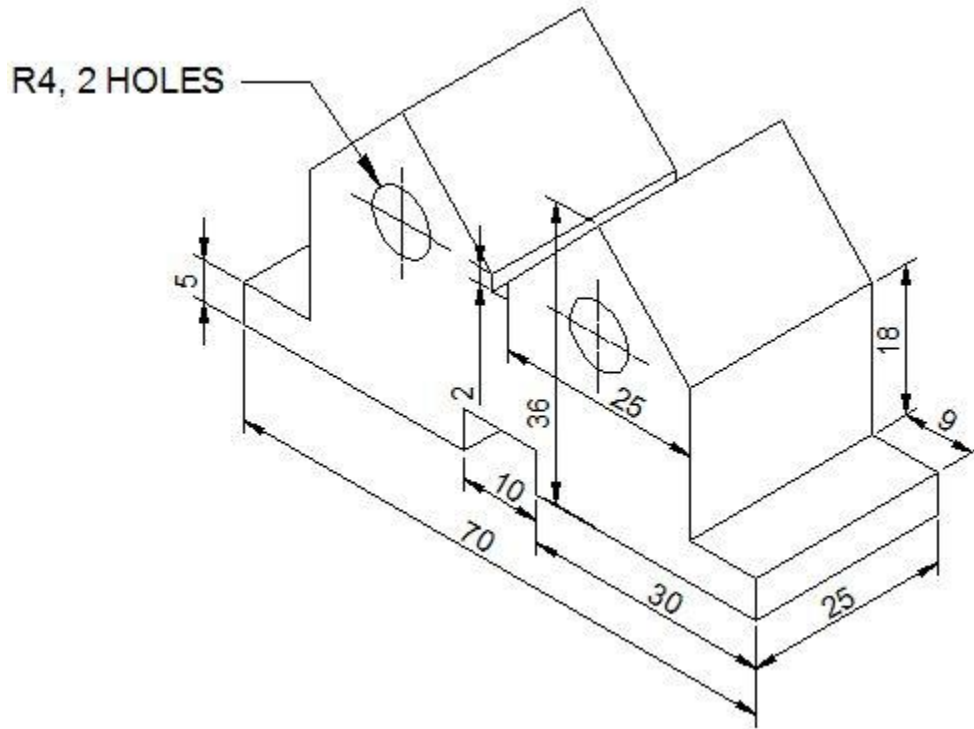


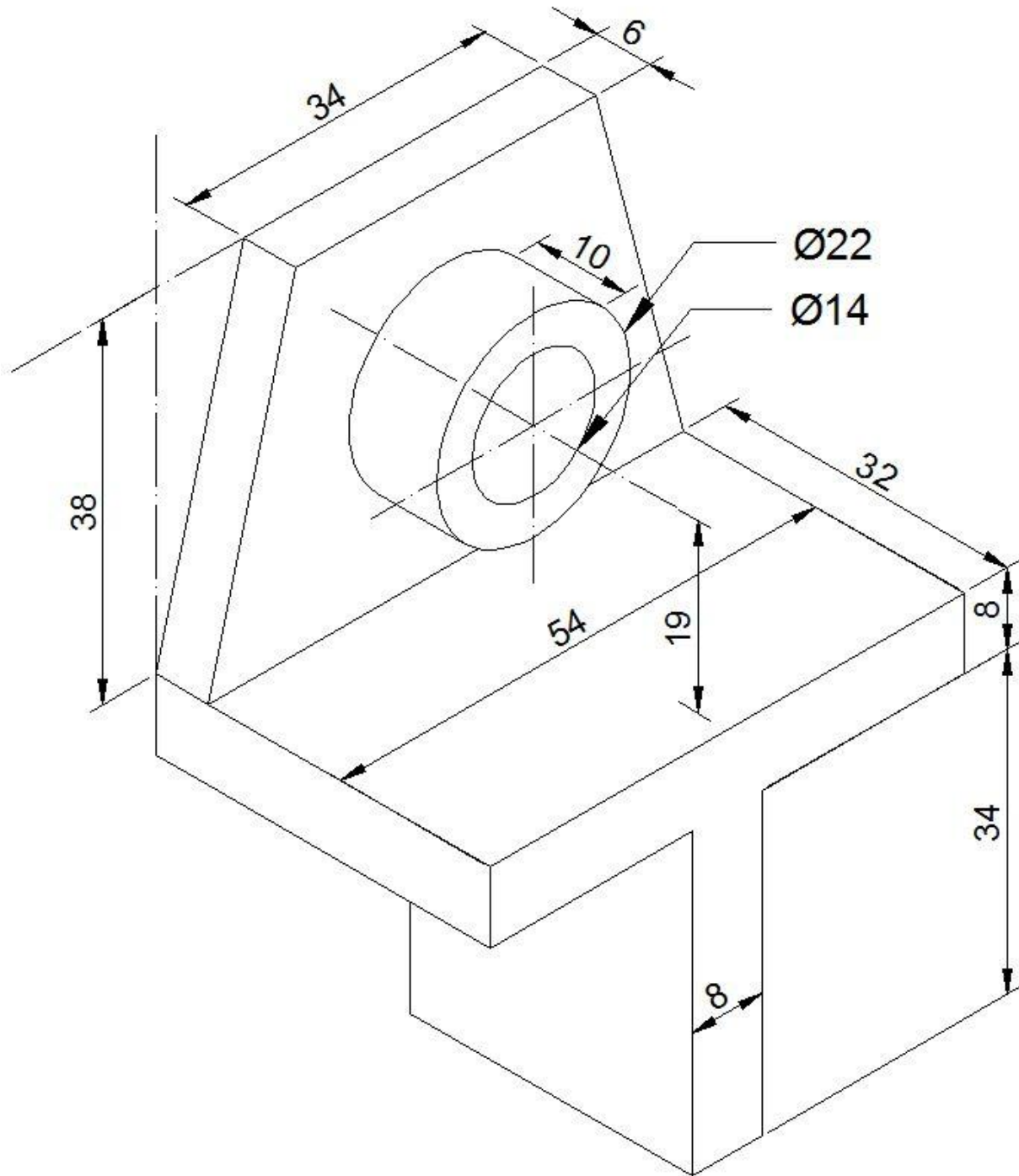


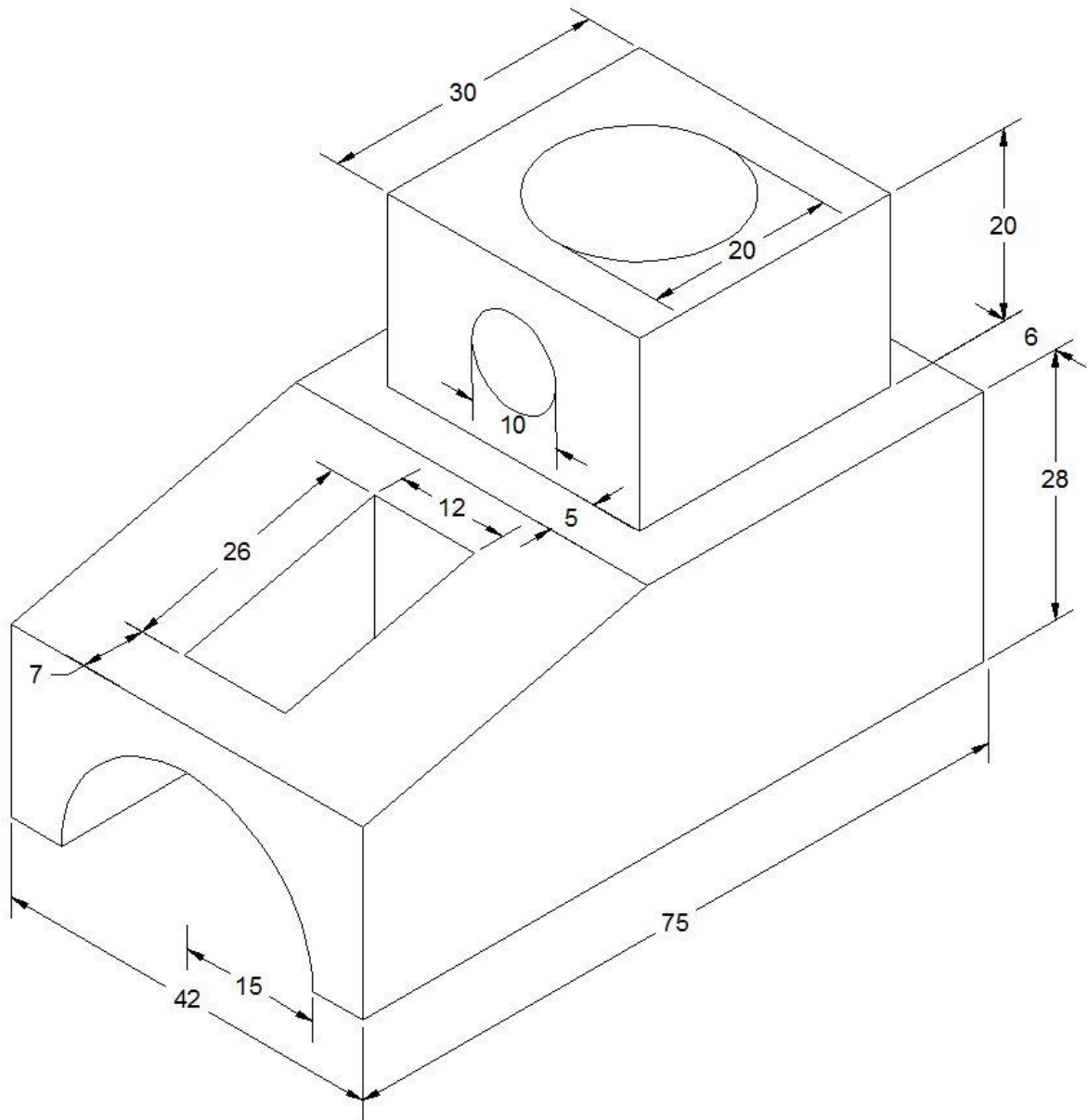


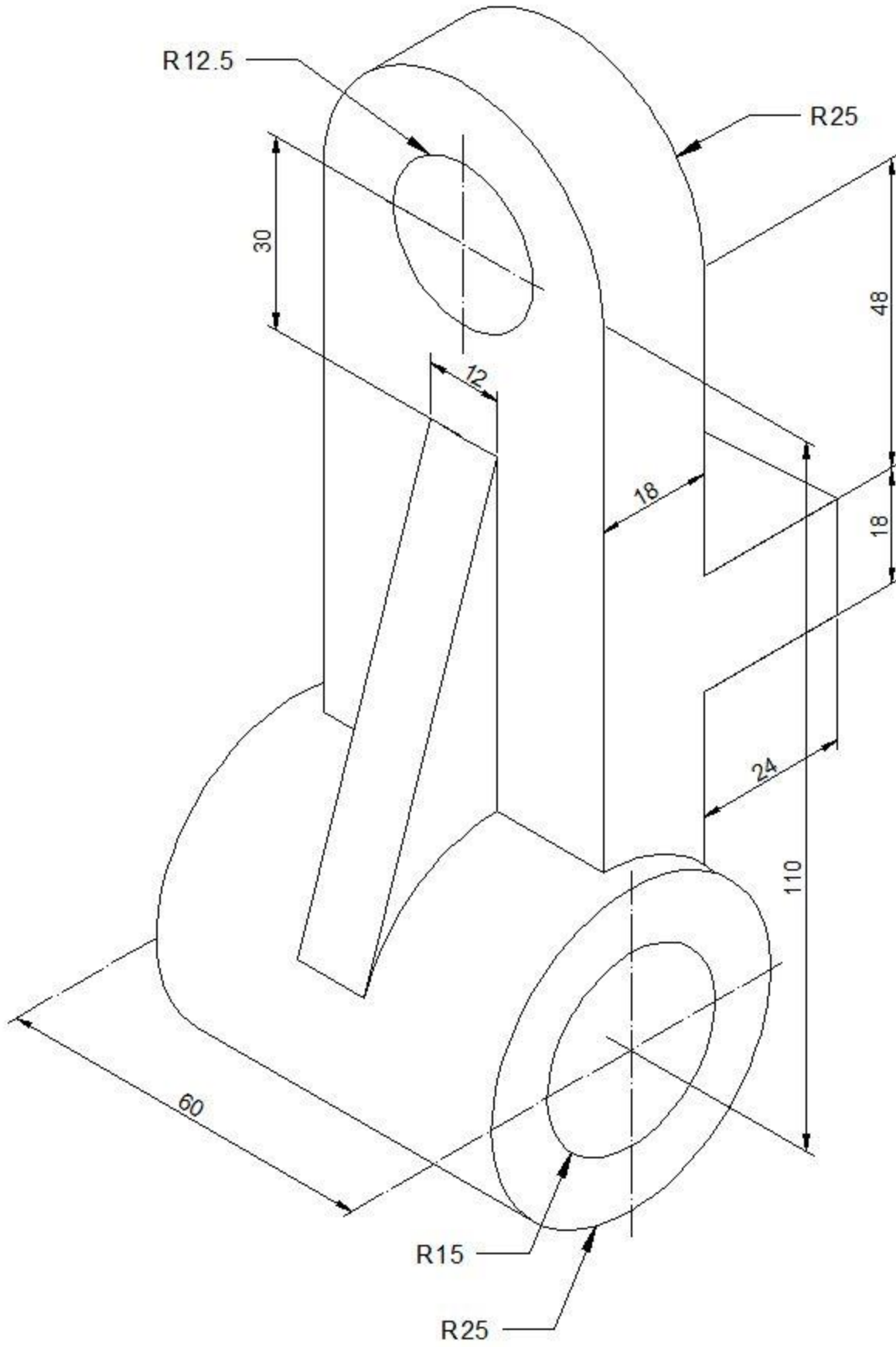


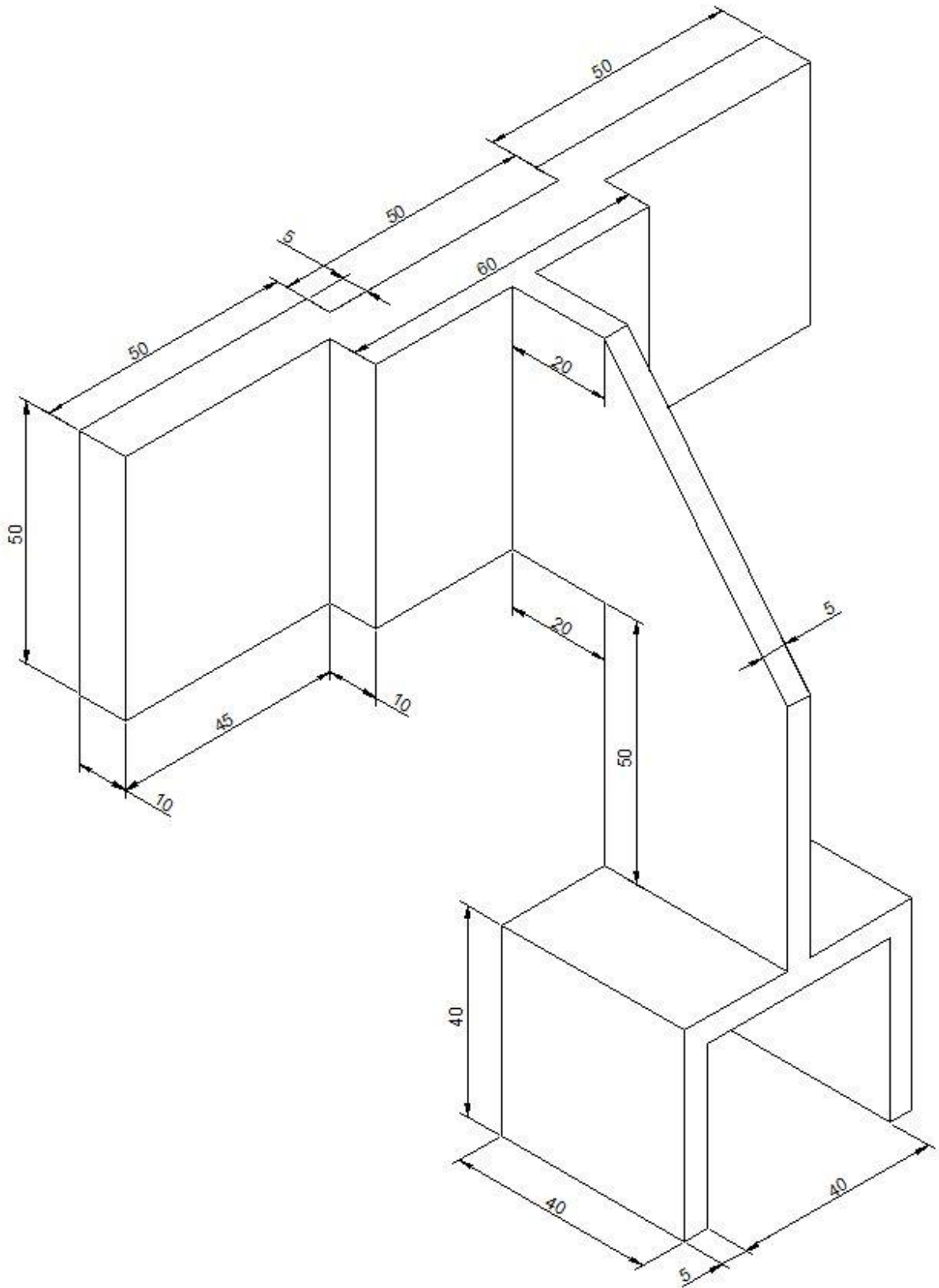


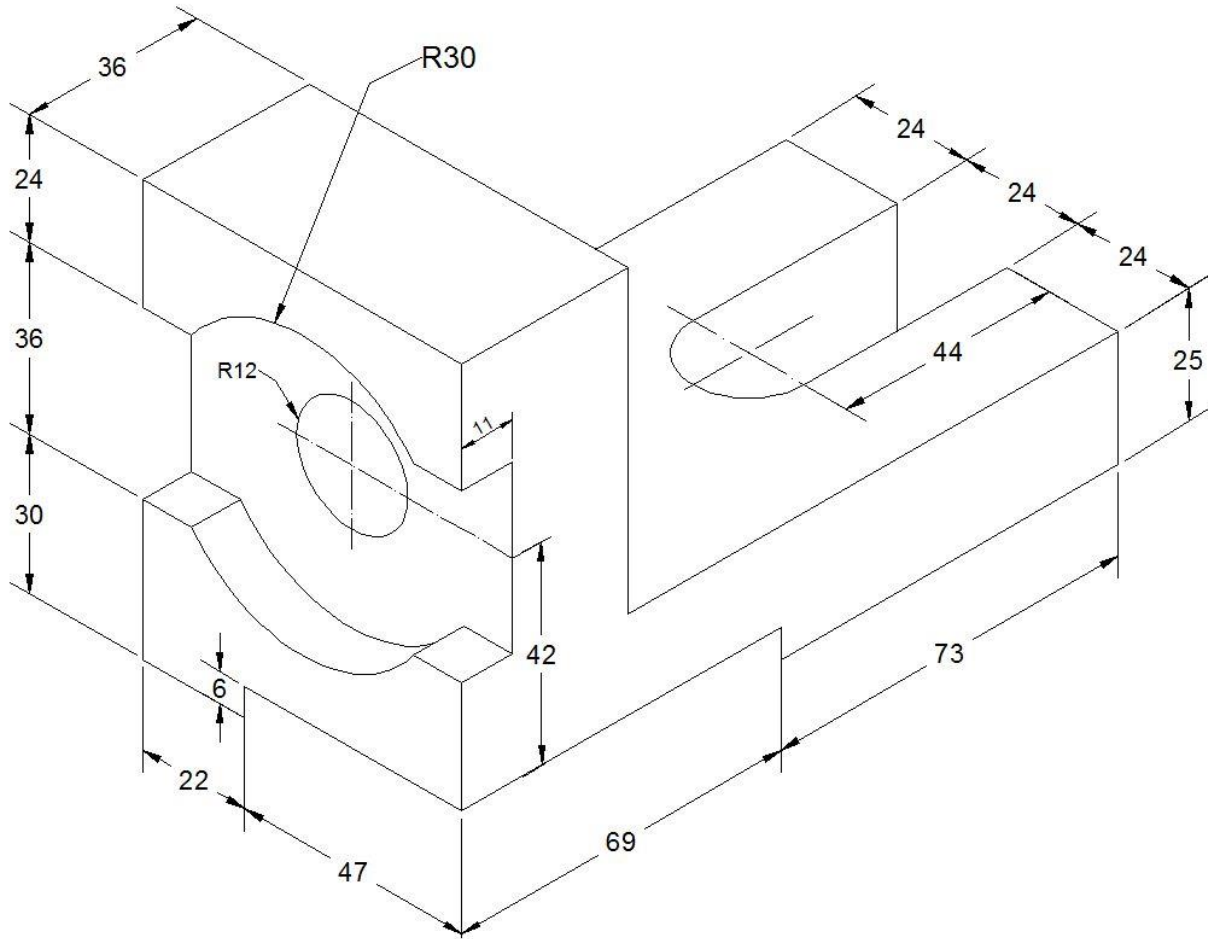


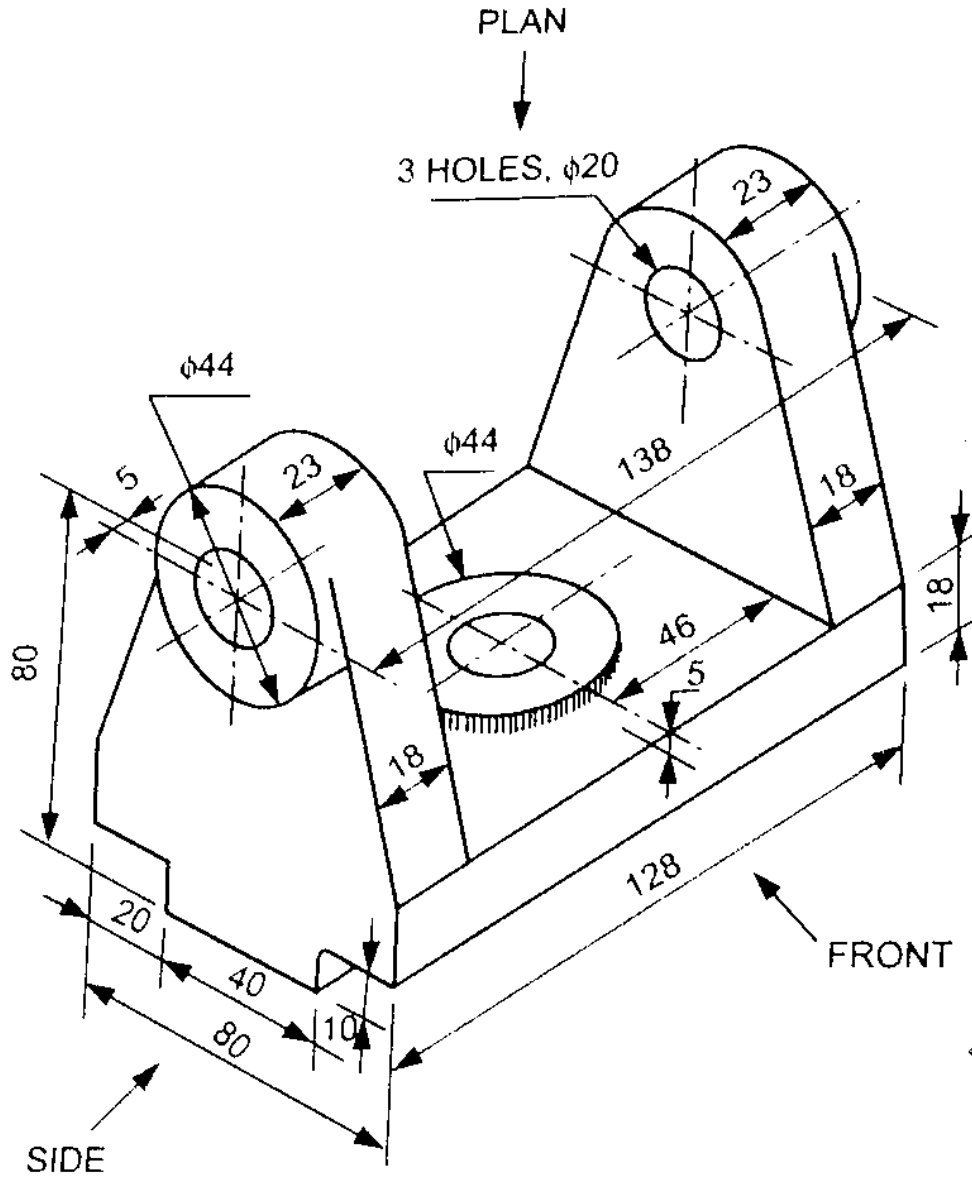


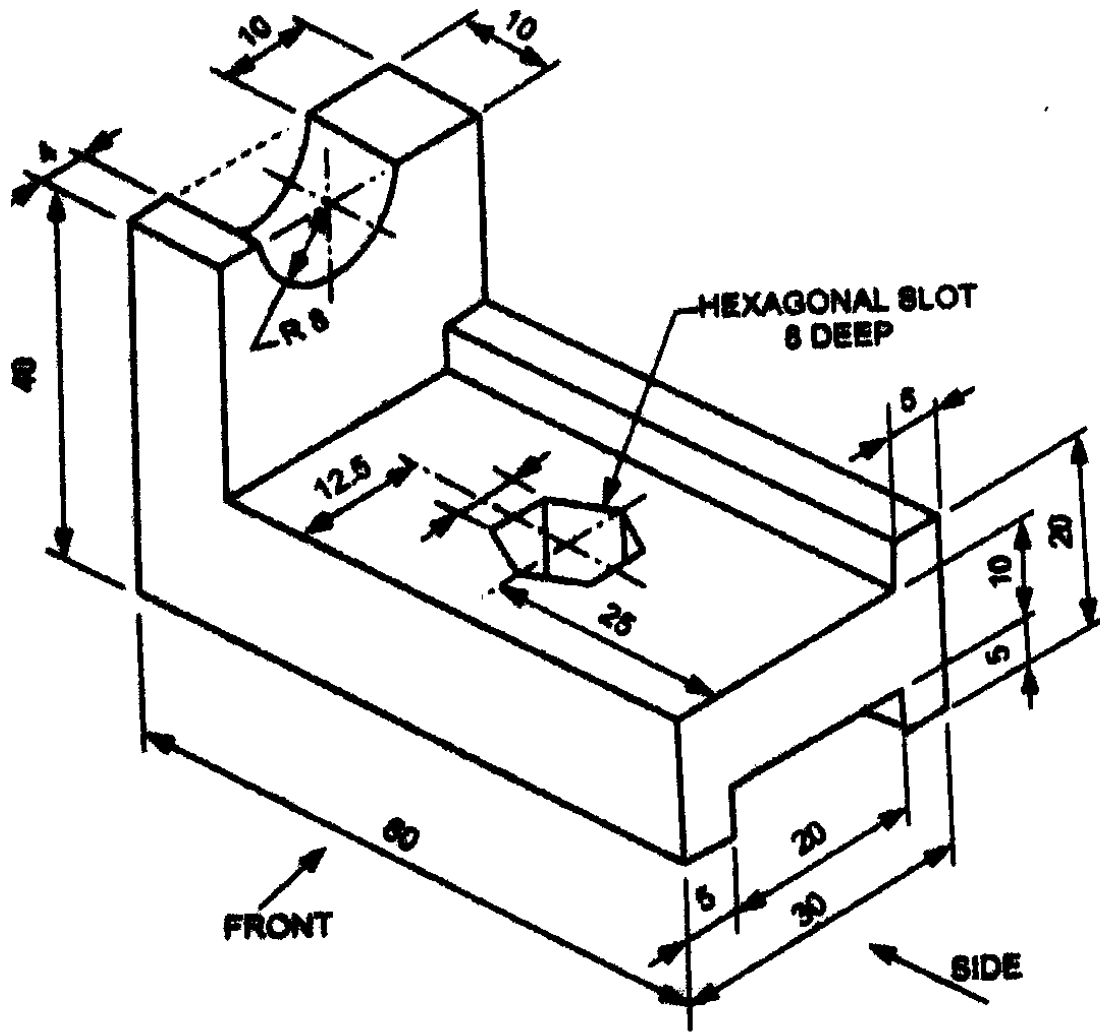








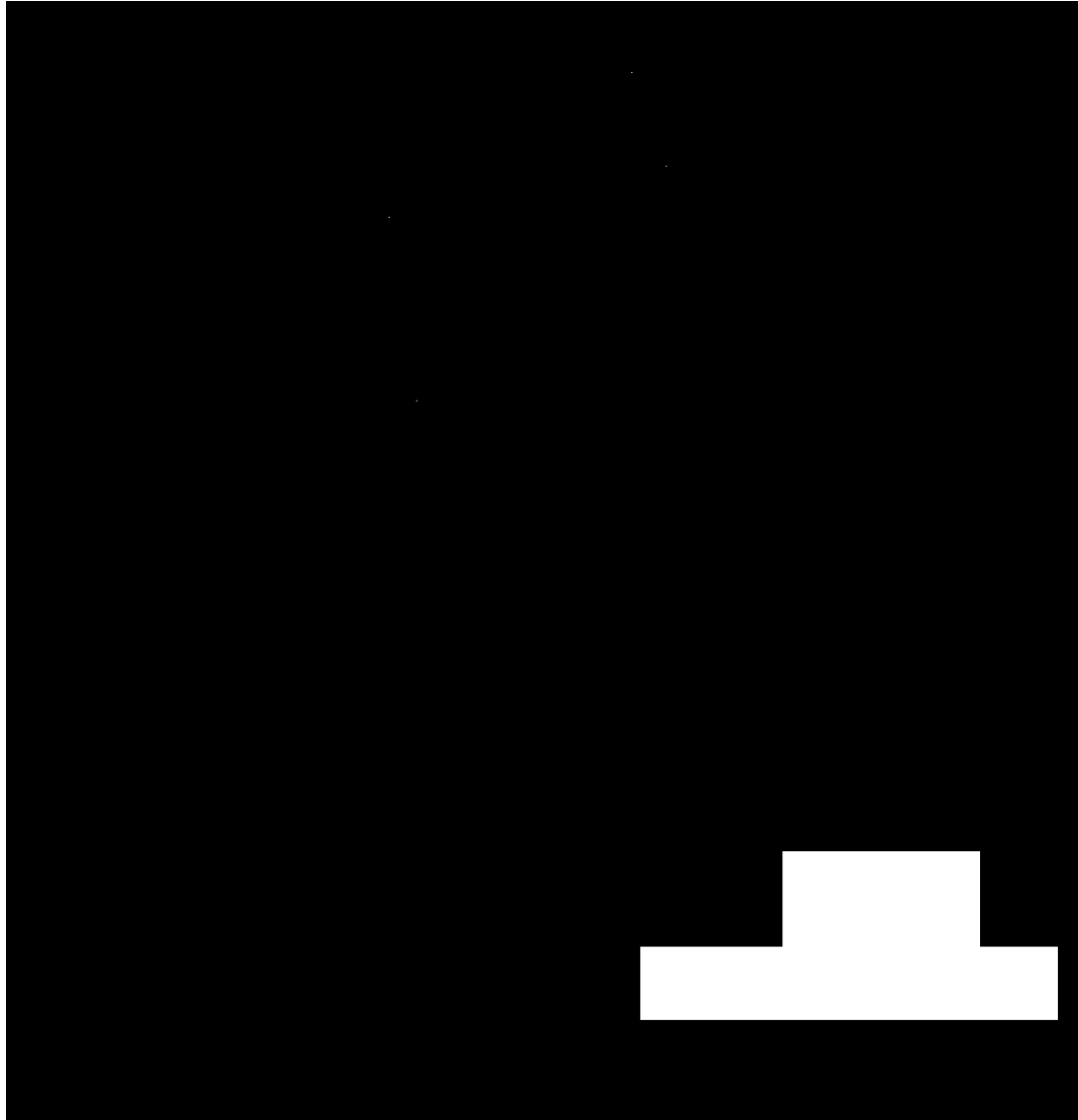




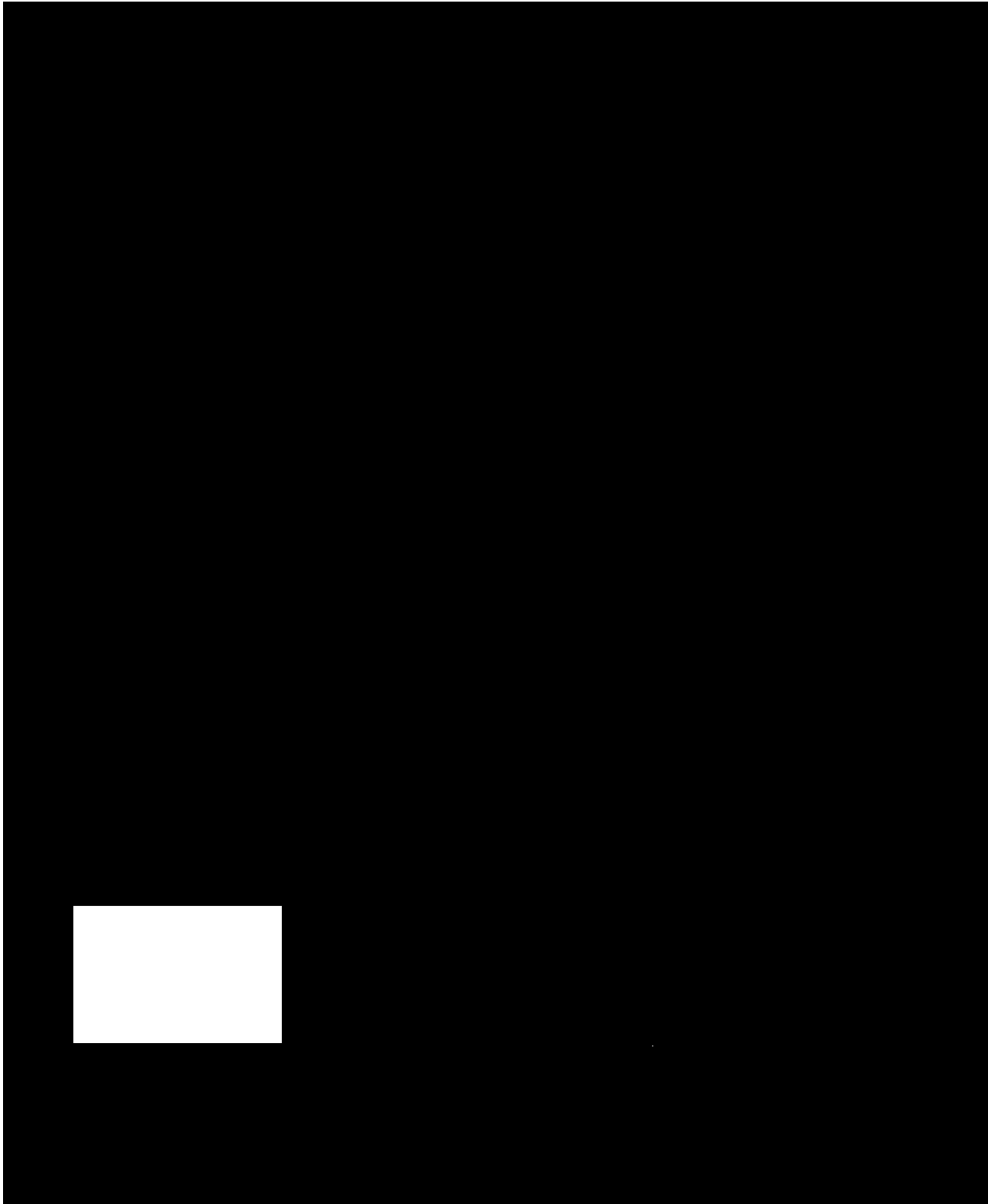
CADDESK Hadapsar Pune +91-8793166470 /8446568491



CADDESK Hadapsar Pune +91-8793166470 /8446568491



CADDESK Hadapsar Pune +91-8793166470 /8446568491



CADDESK Hadapsar Pune +91-8793166470 /8446568491



CADDESK Hadapsar Pune +91-8793166470 /8446568491



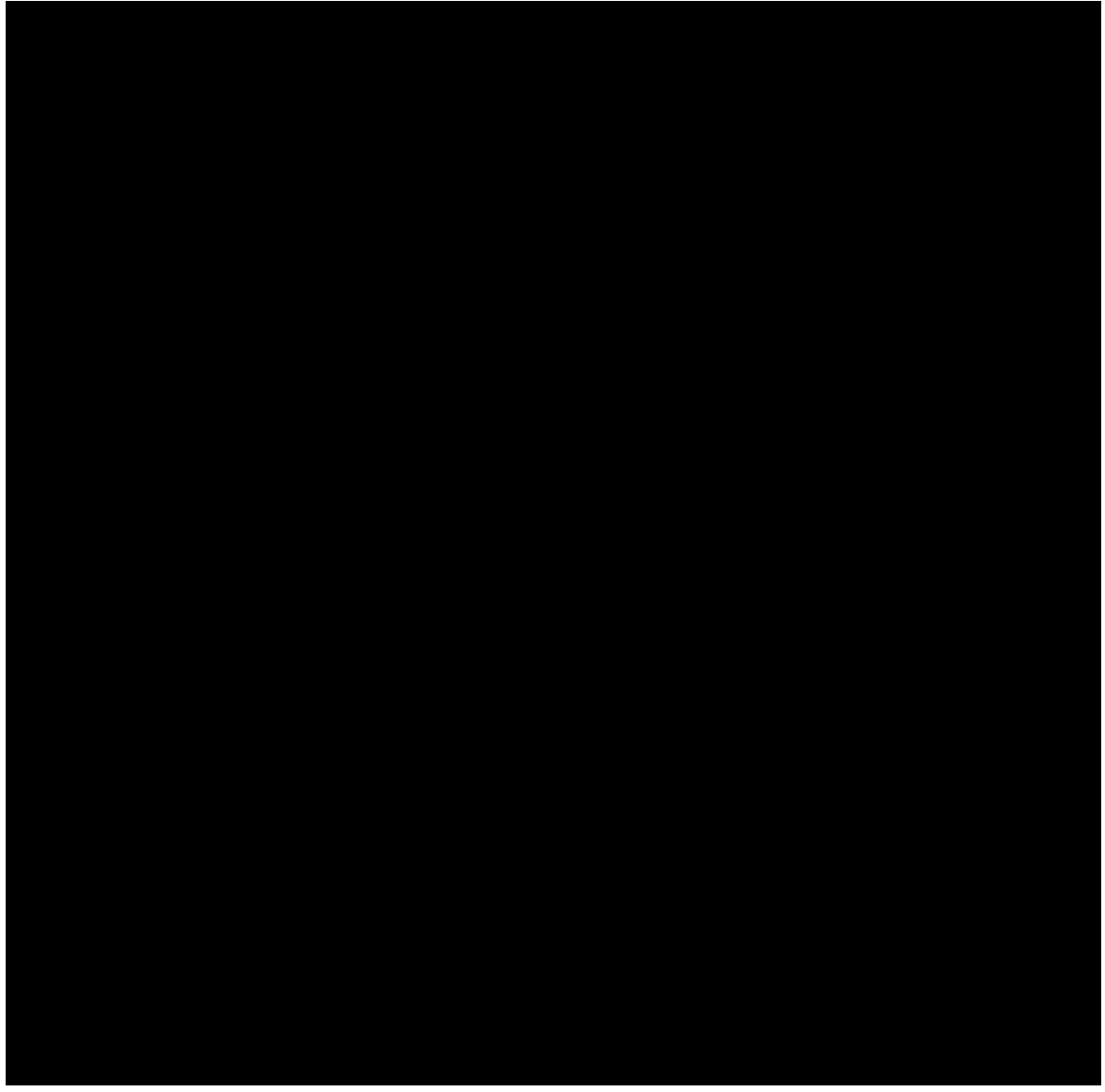
CADDESK Hadapsar Pune +91-8793166470 /8446568491



CADDESK Hadapsar Pune +91-8793166470 /8446568491

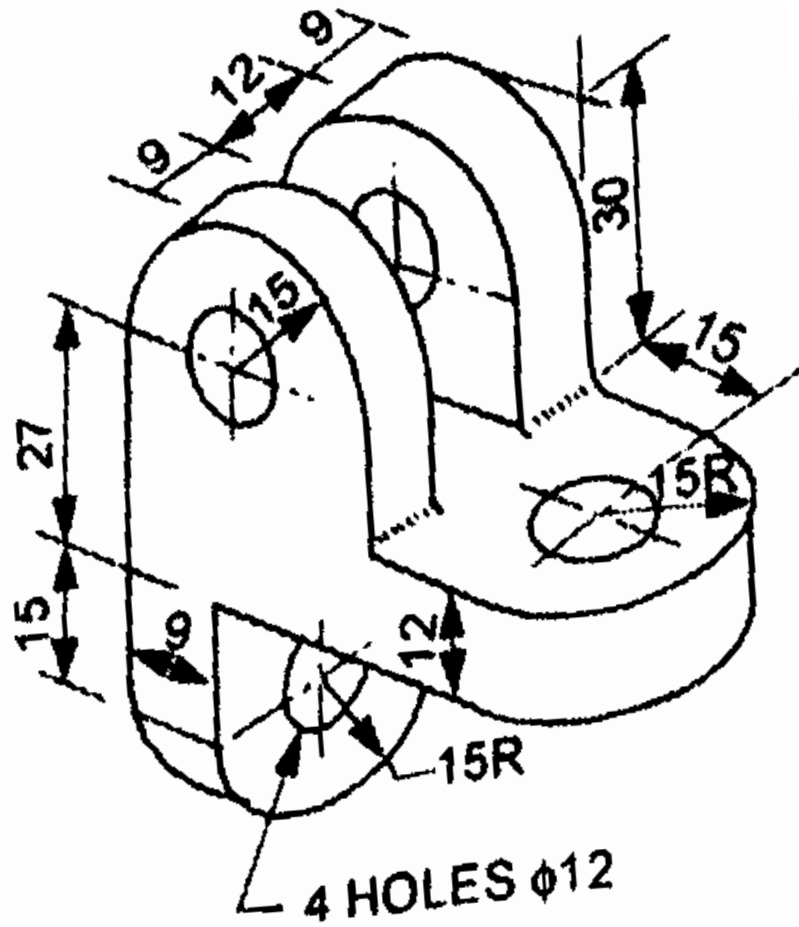


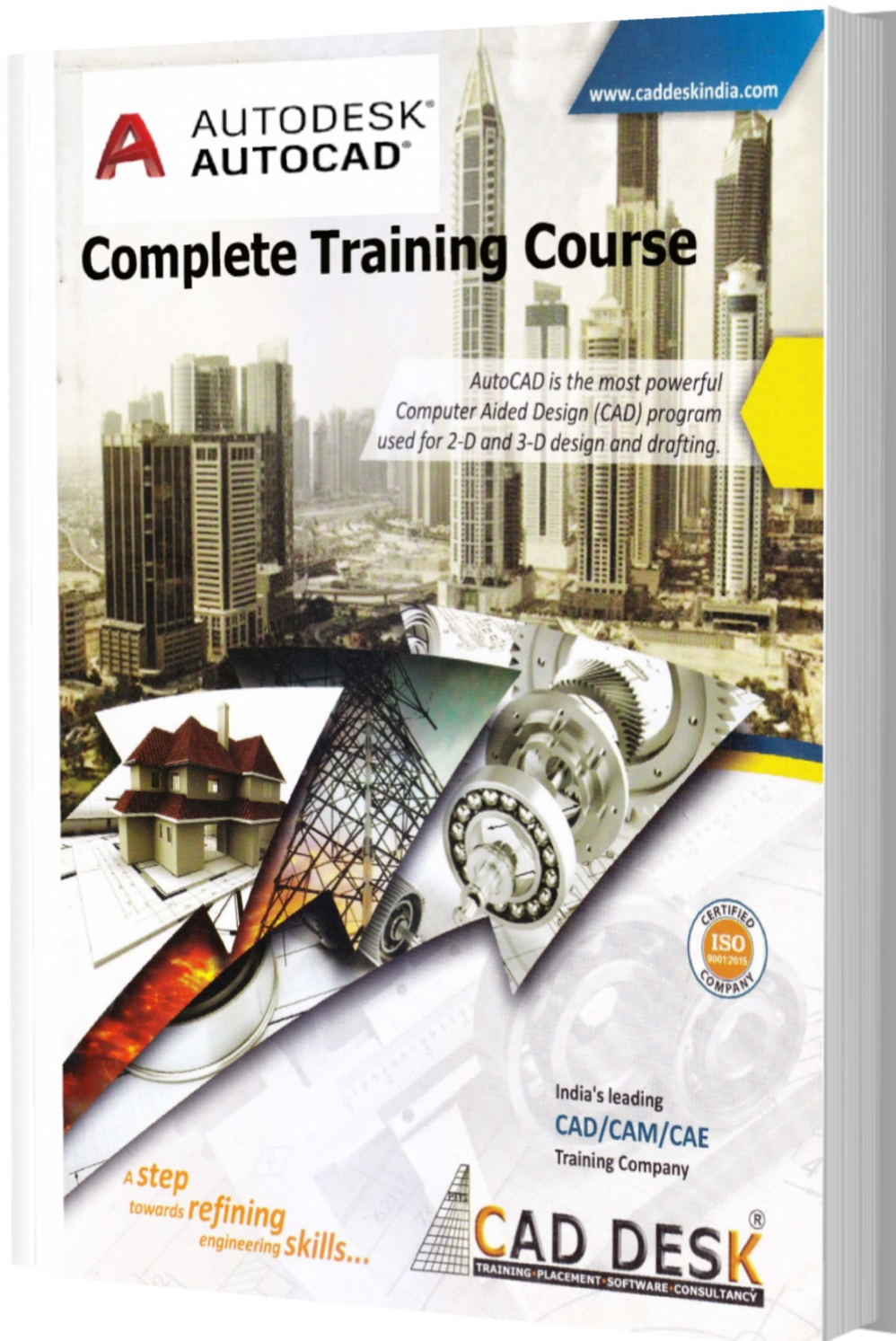
CADDESK Hadapsar Pune +91-8793166470 /8446568491



CADDESK Hadapsar Pune +91-8793166470 /8446568491

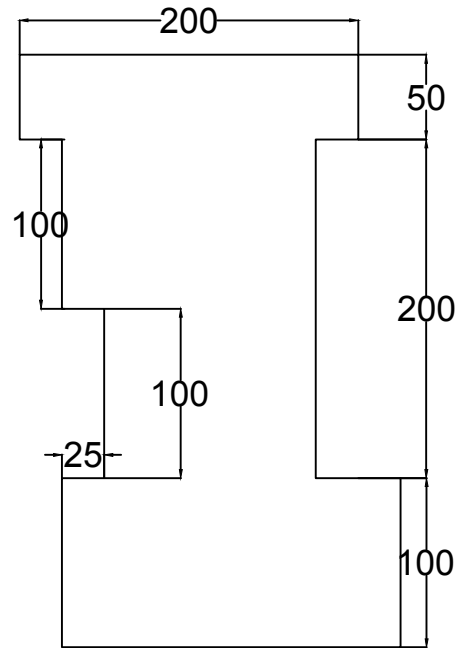
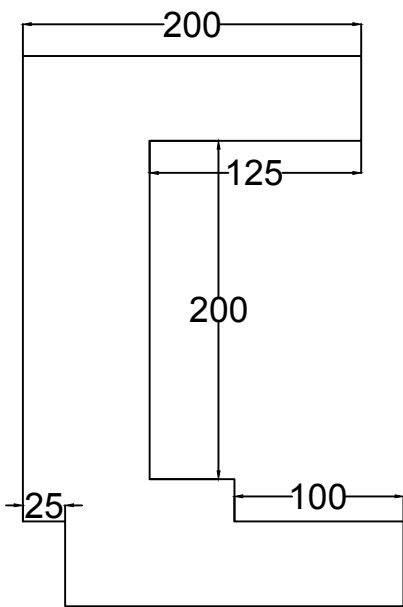
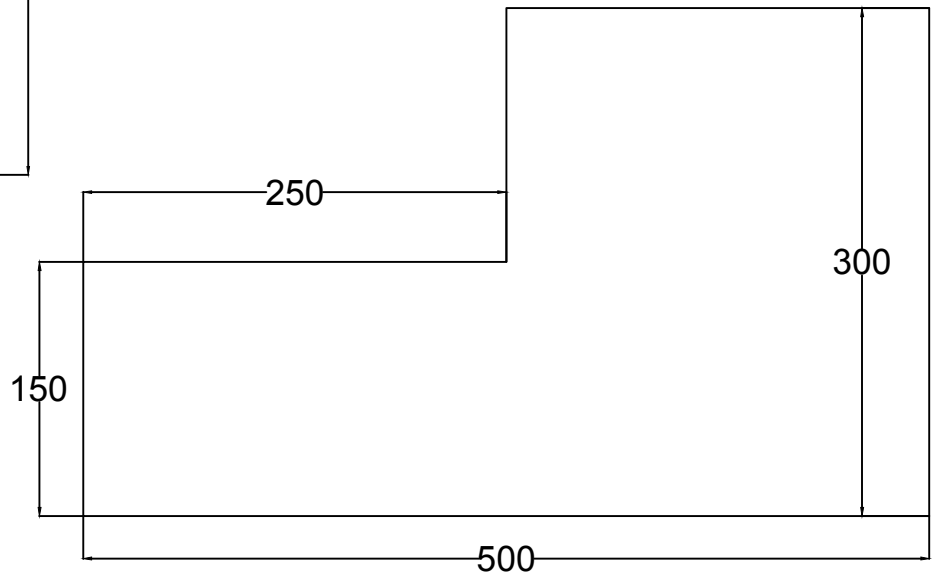
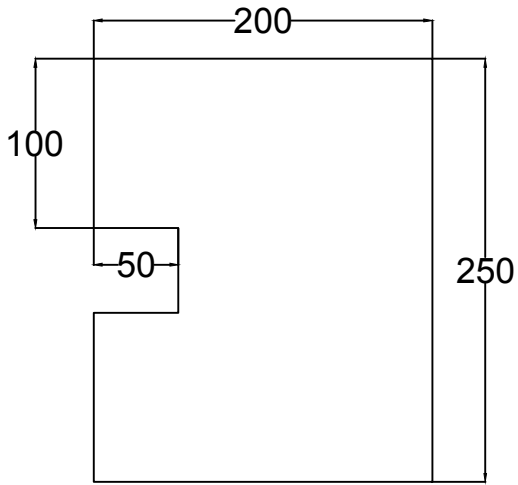


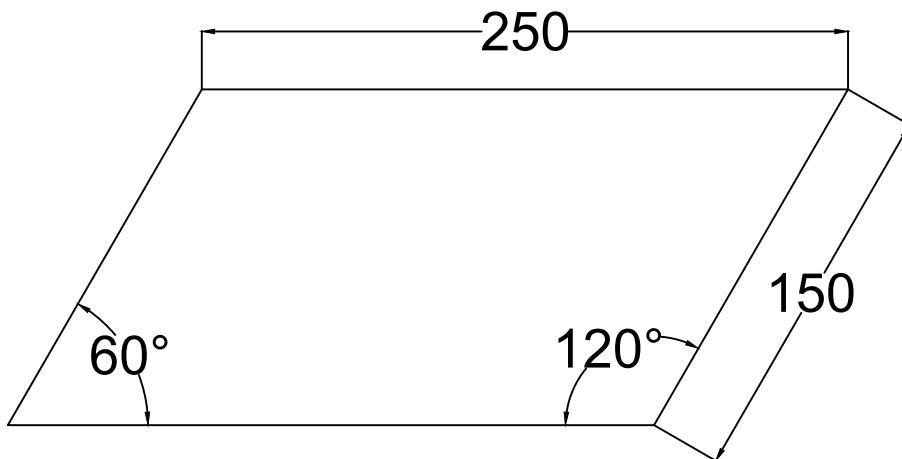
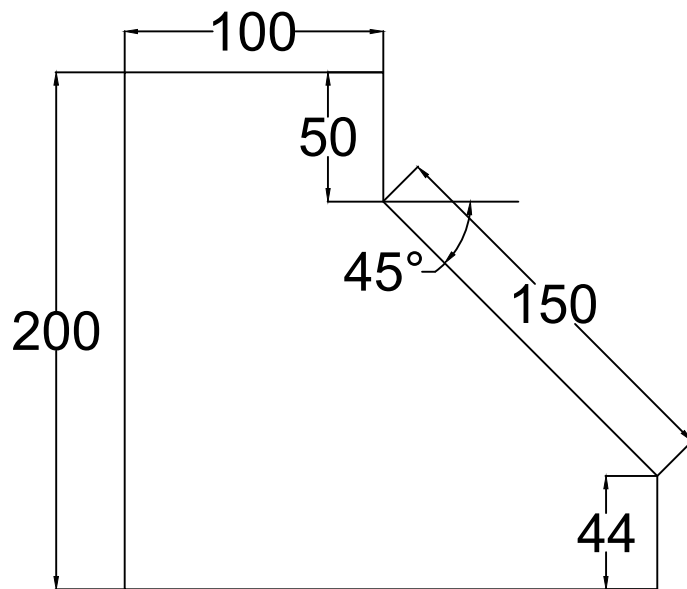
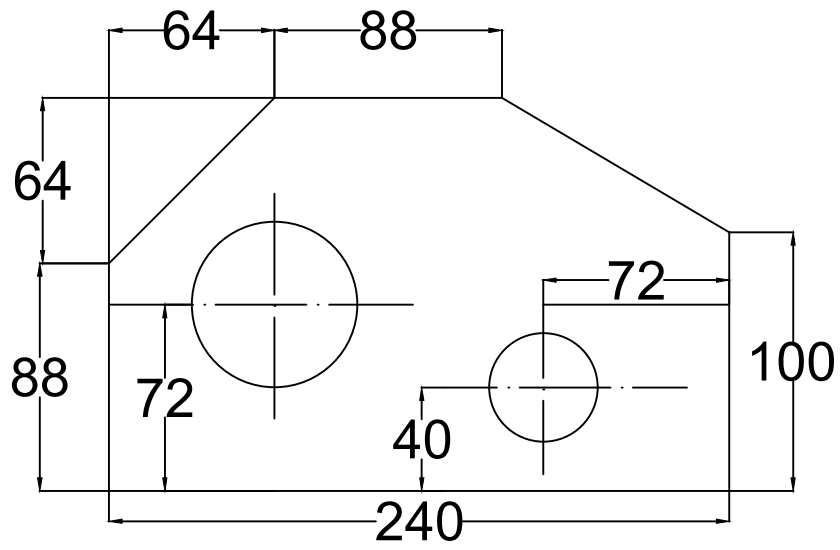


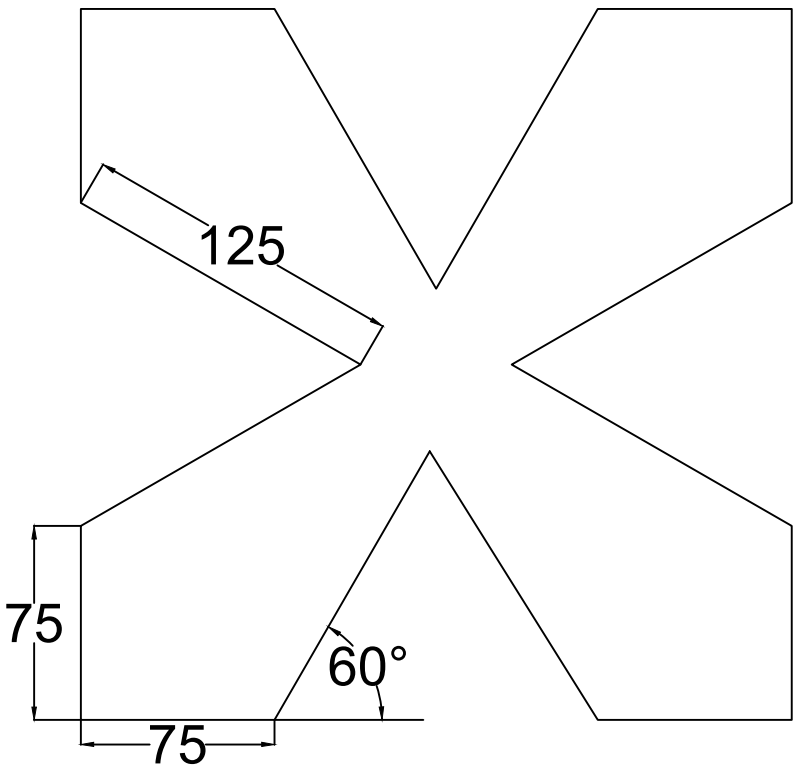
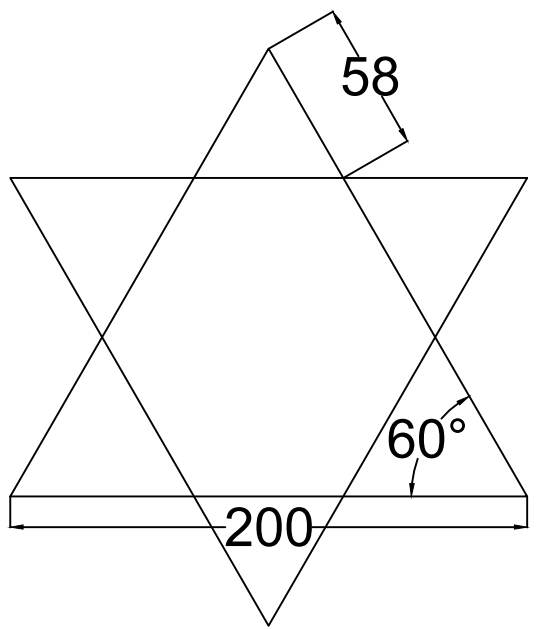
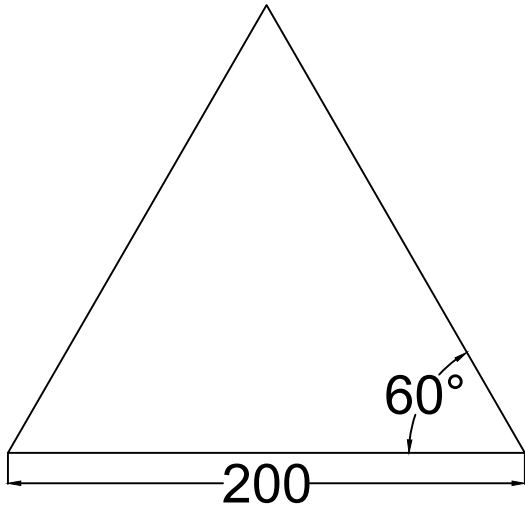


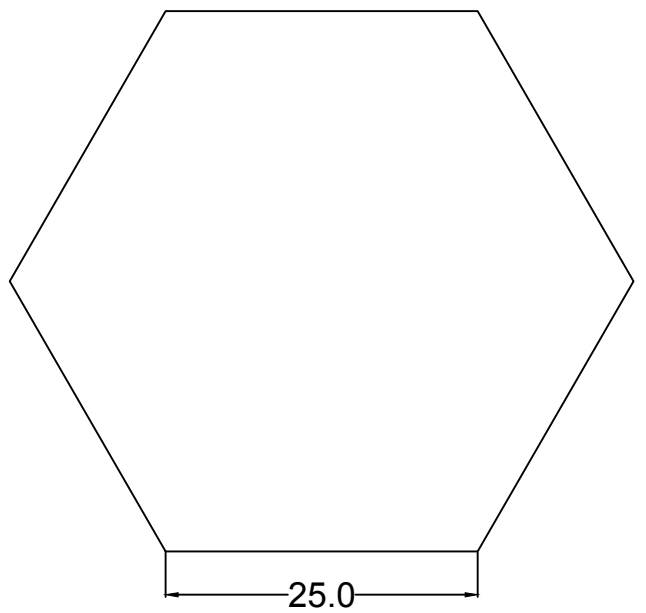
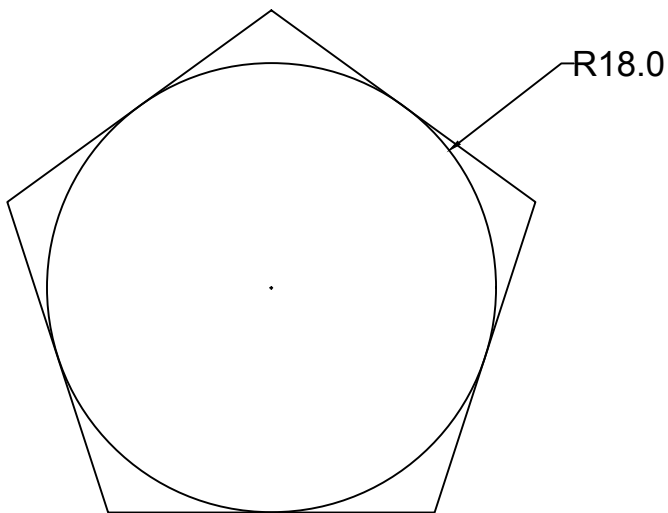
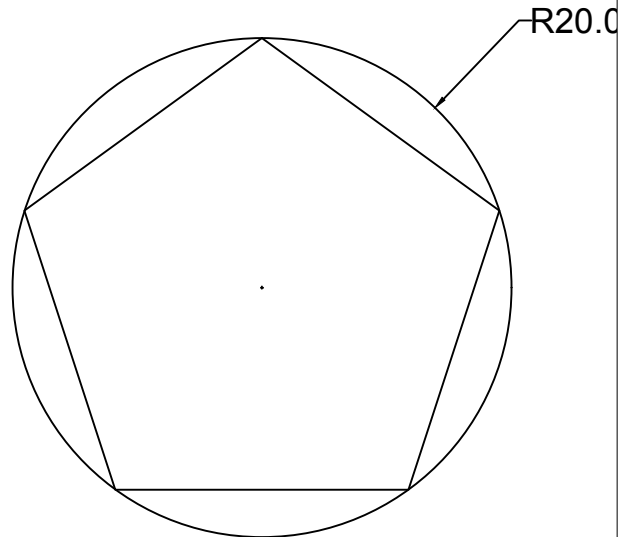
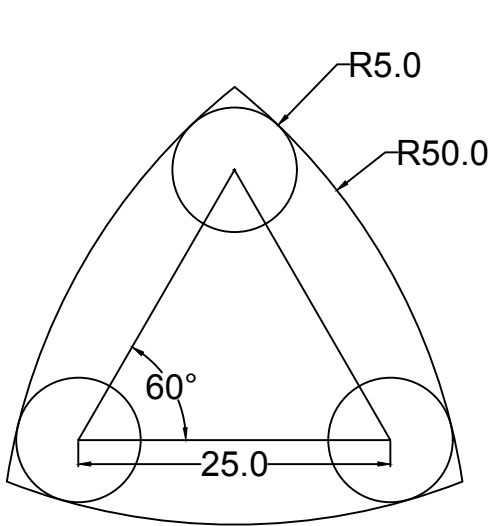
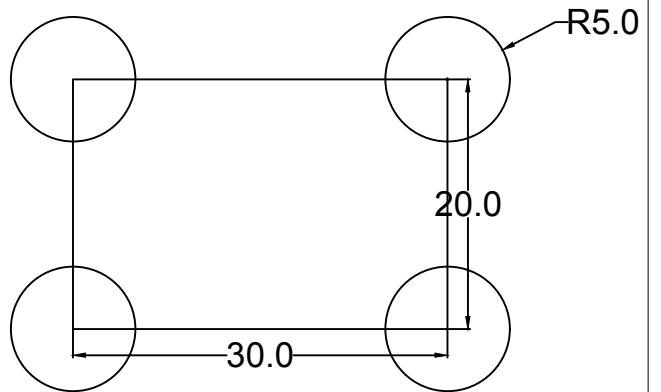
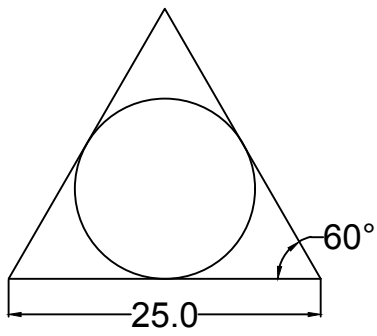
WORK BOOK Civil

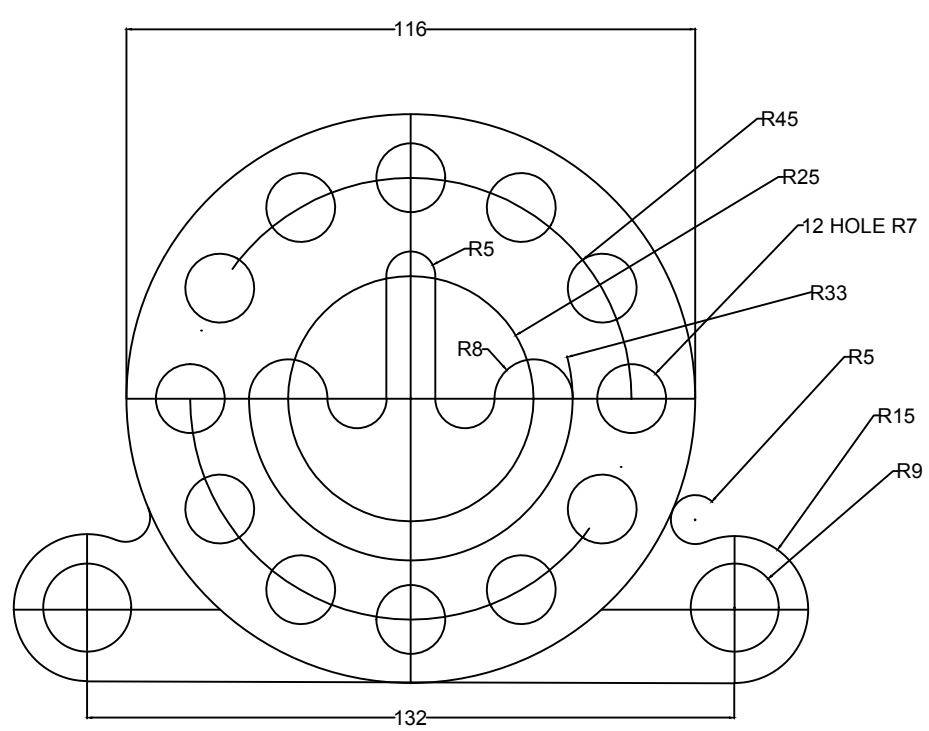
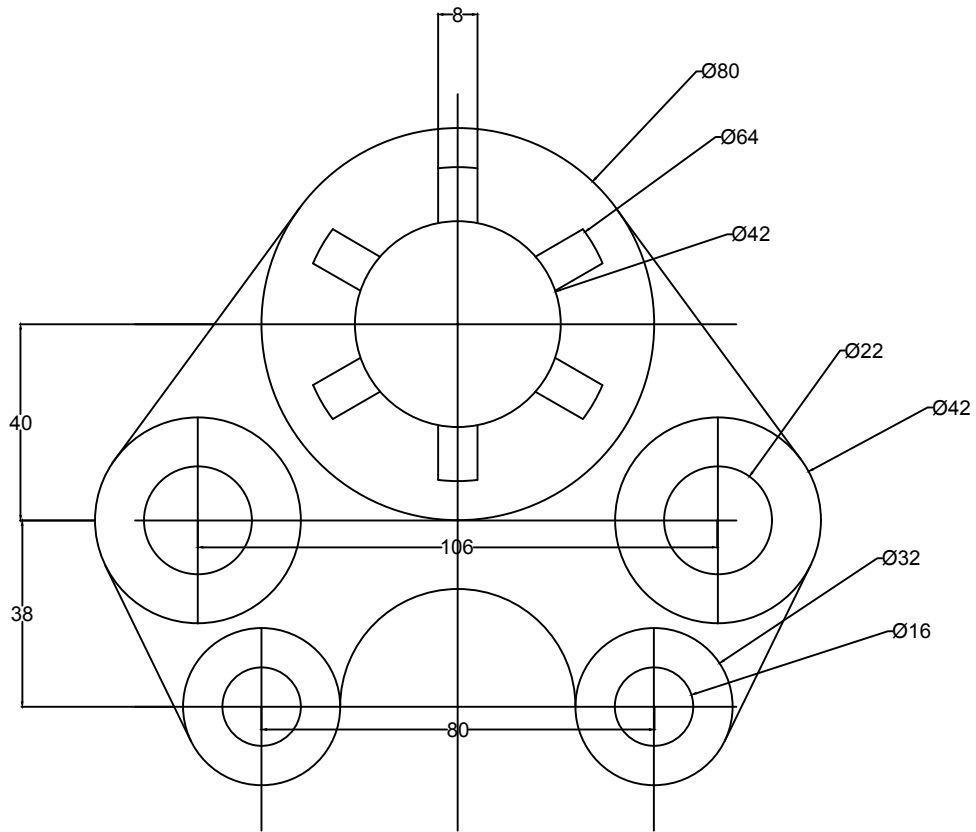
+91-8793166470 Join Us

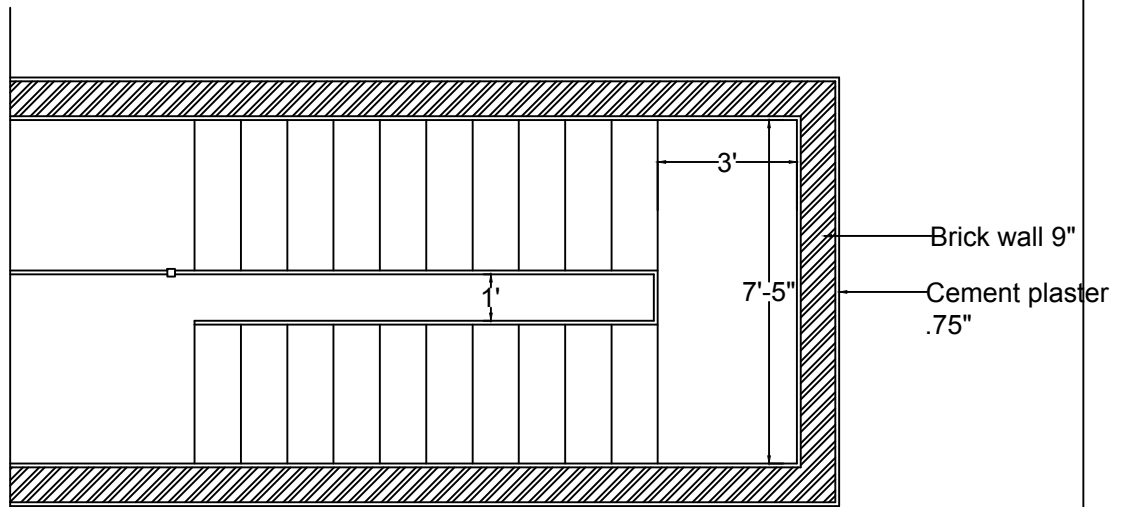




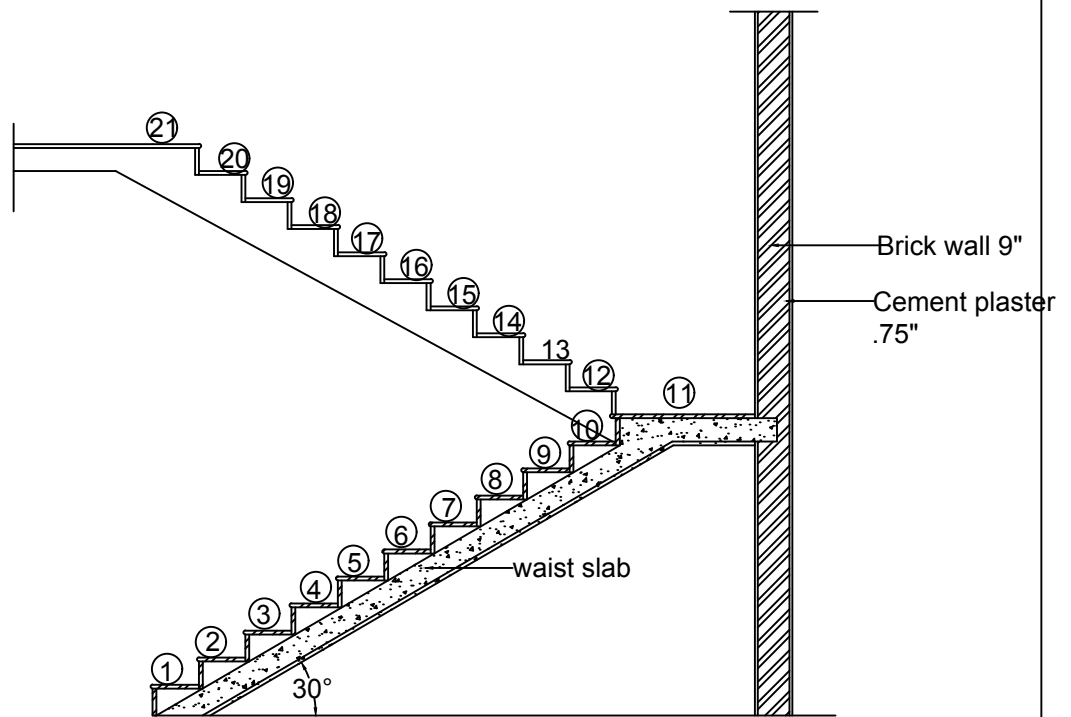




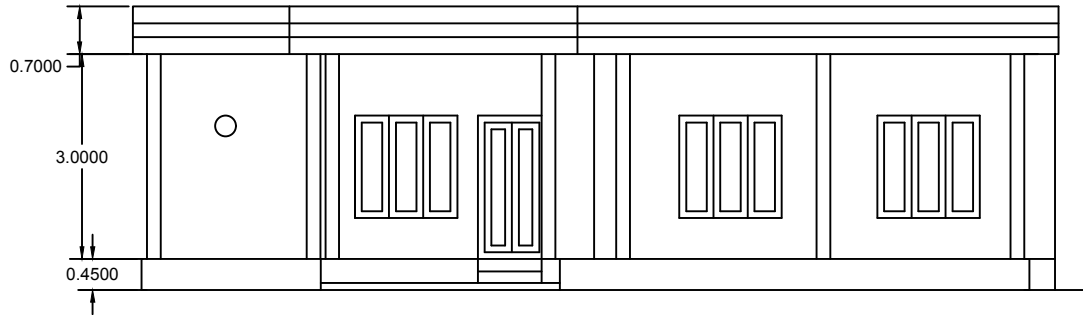




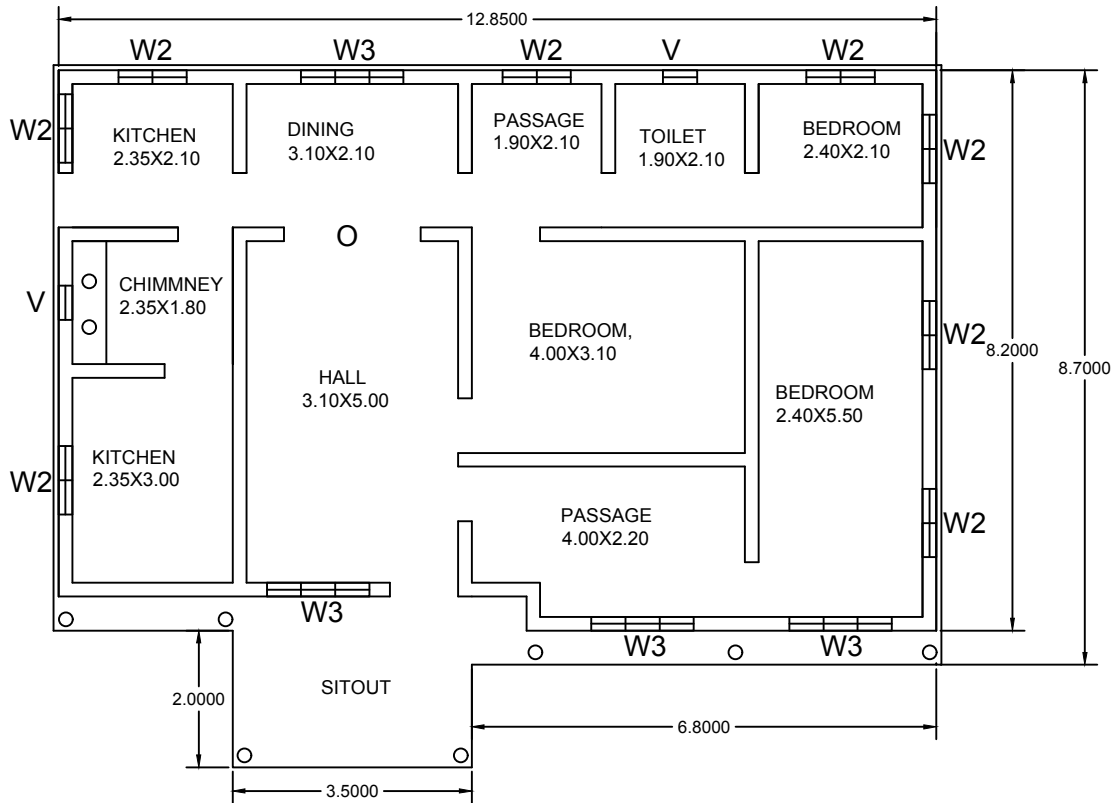
PLAN



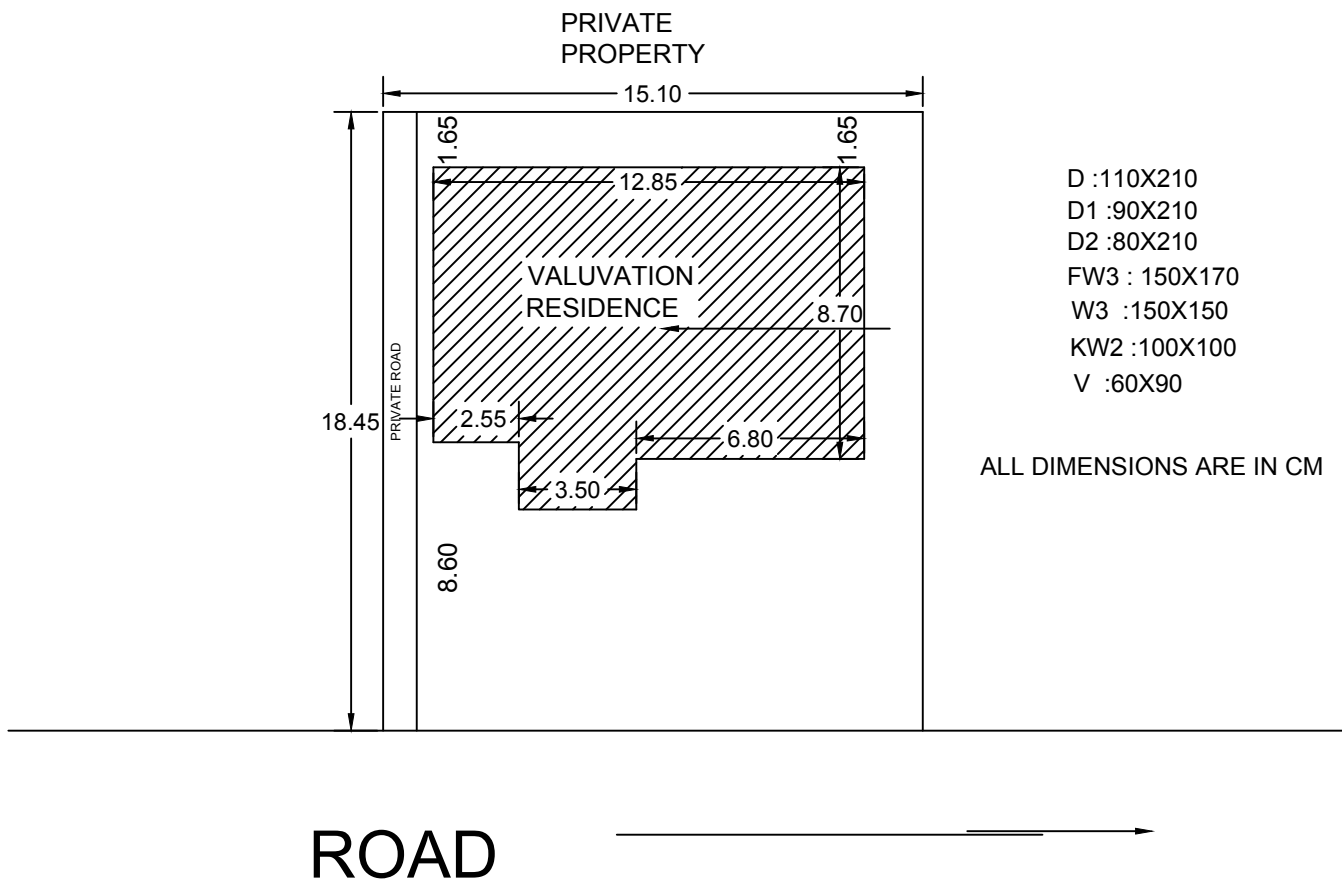
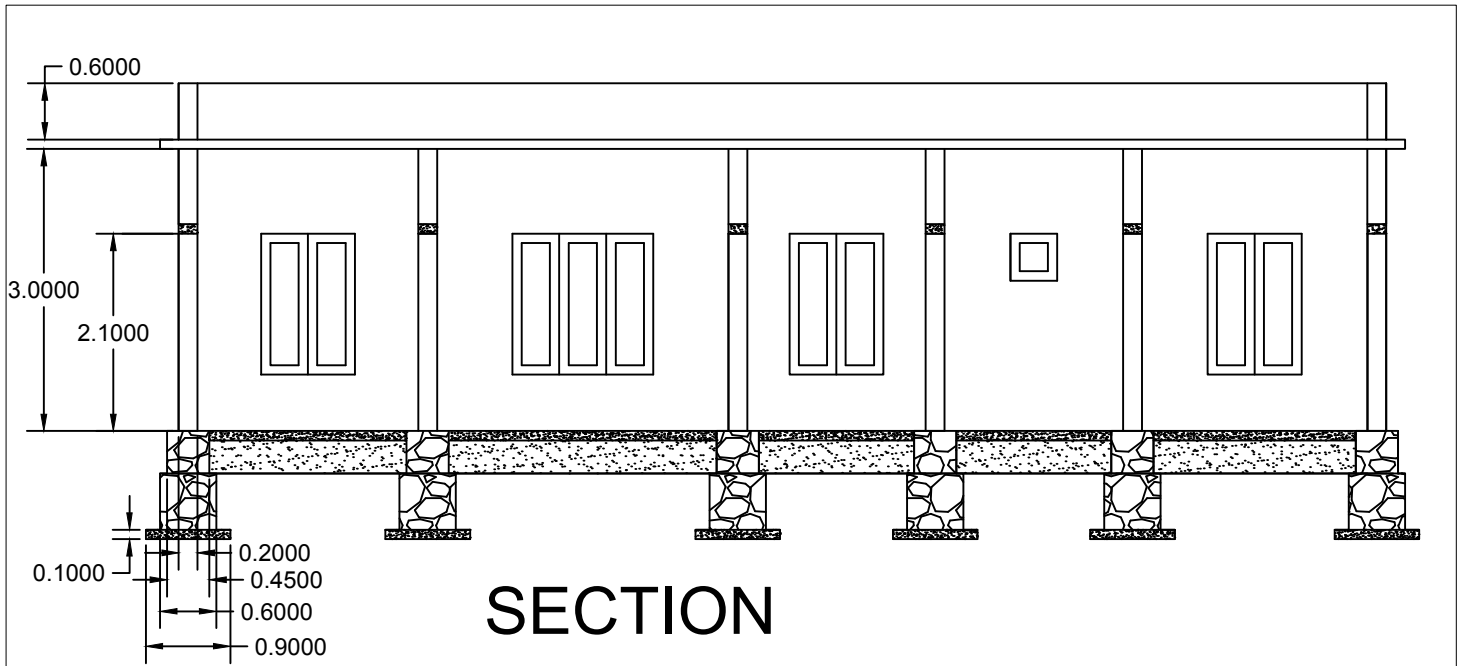
STAIR CASE

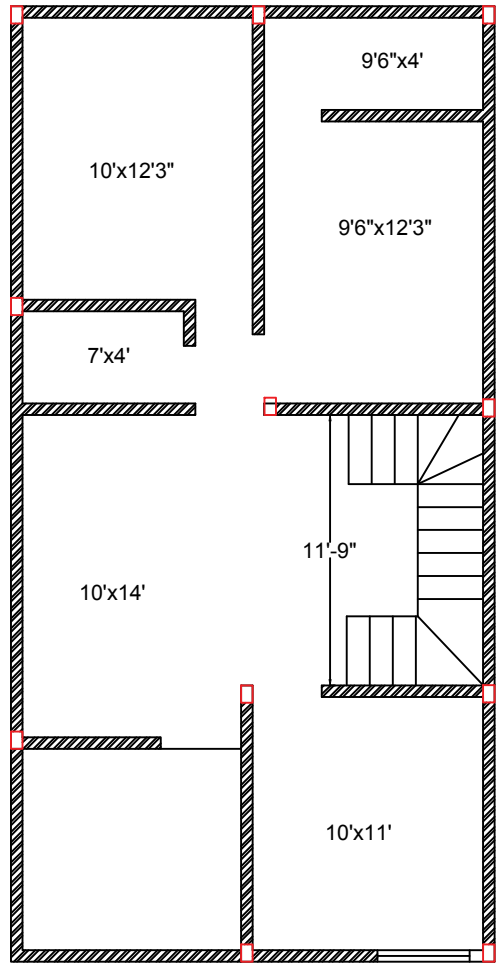
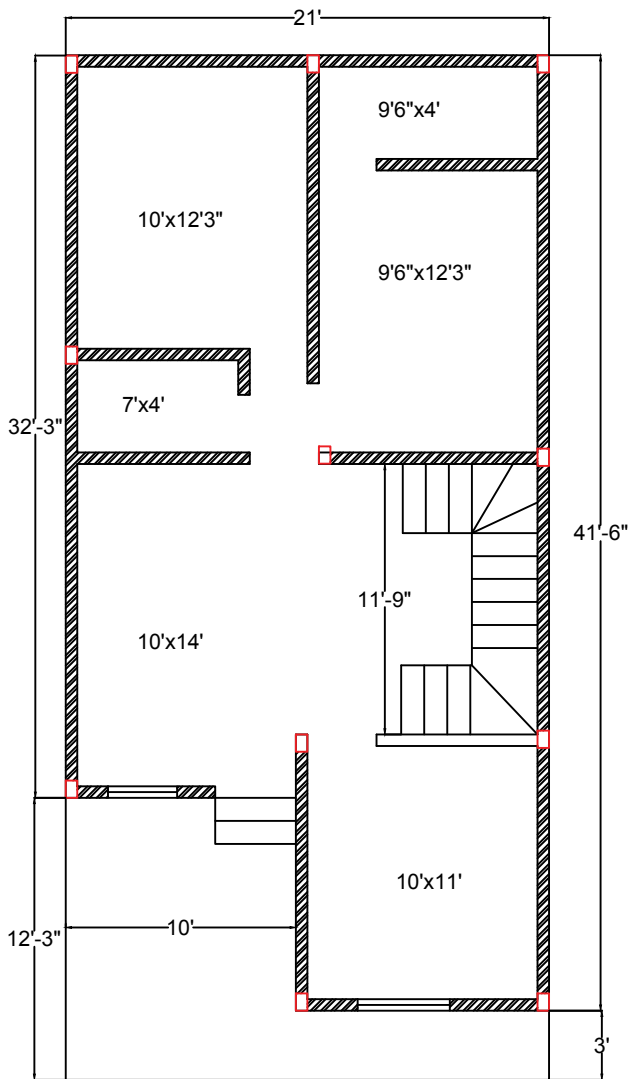
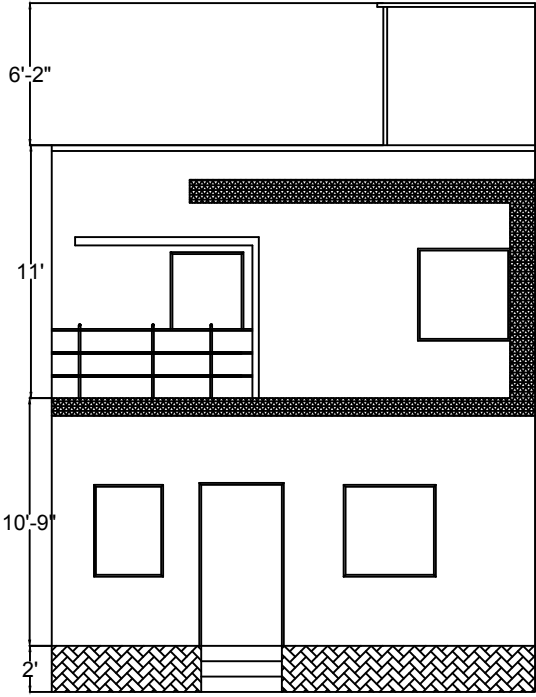


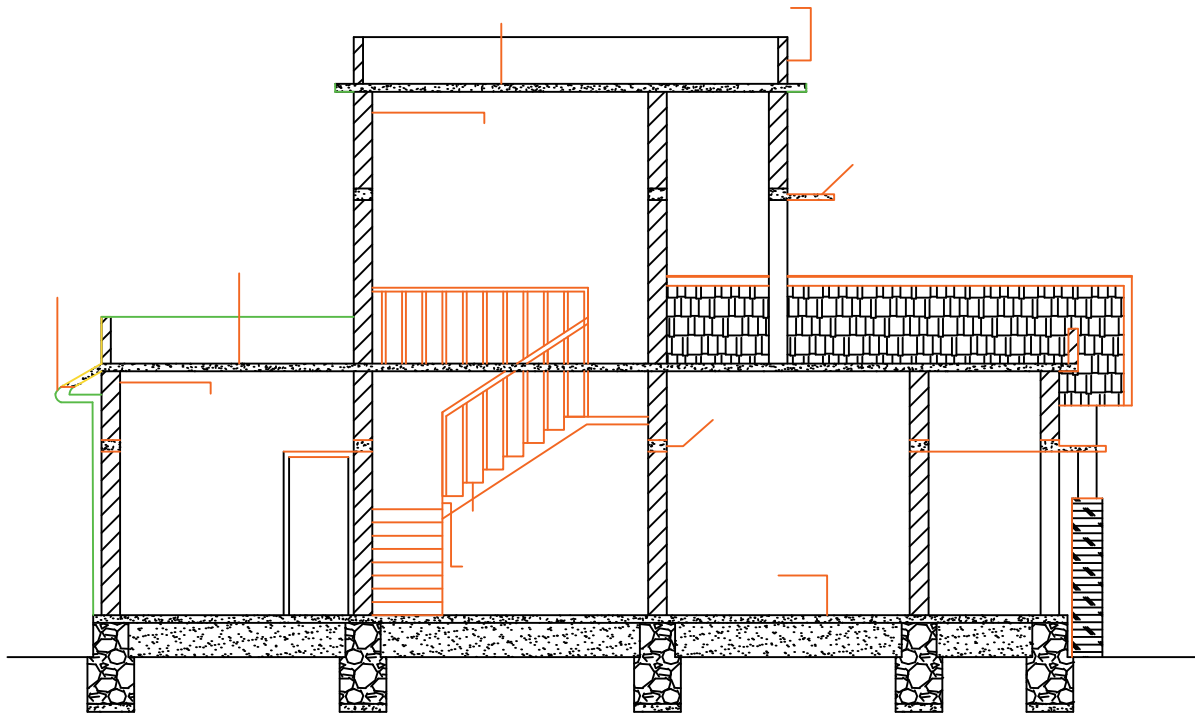
ELEVATION



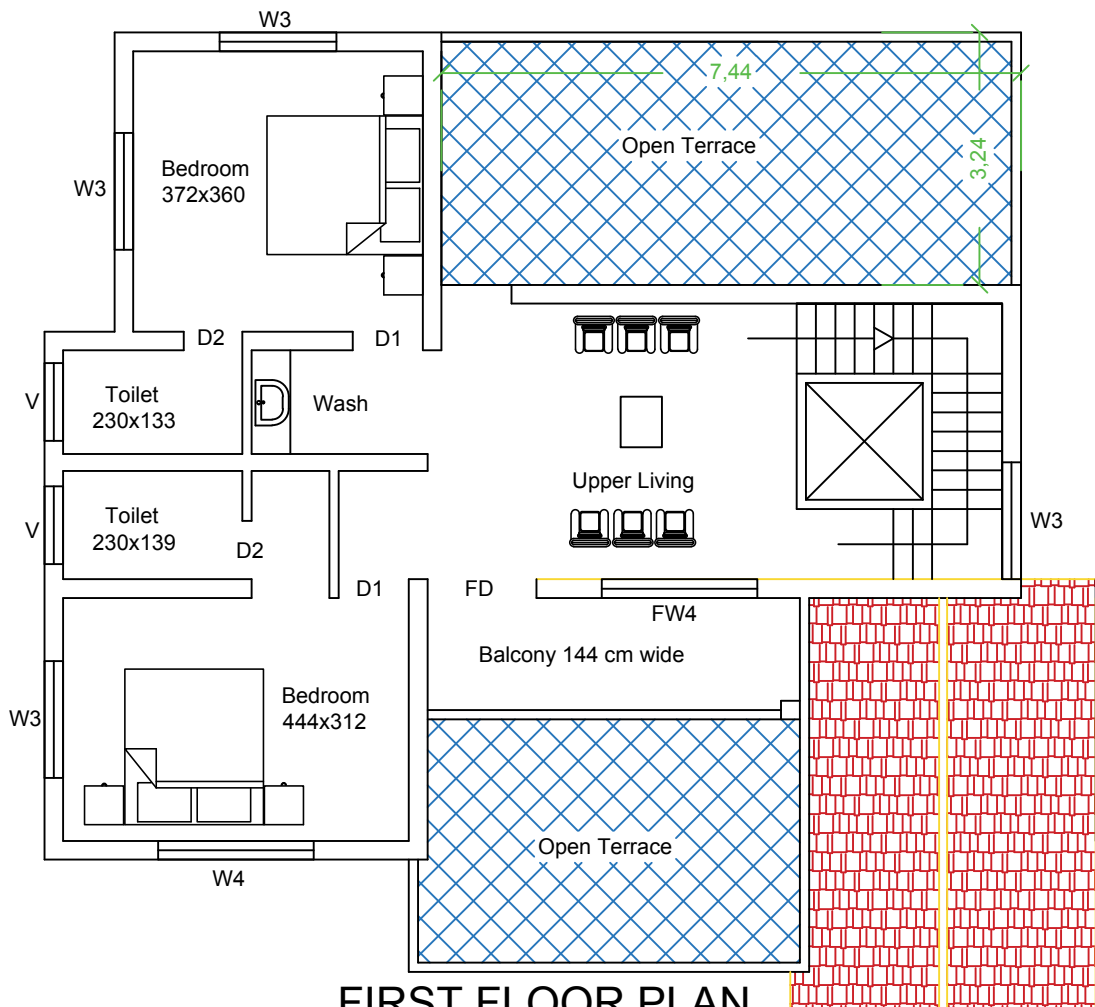
PLAN



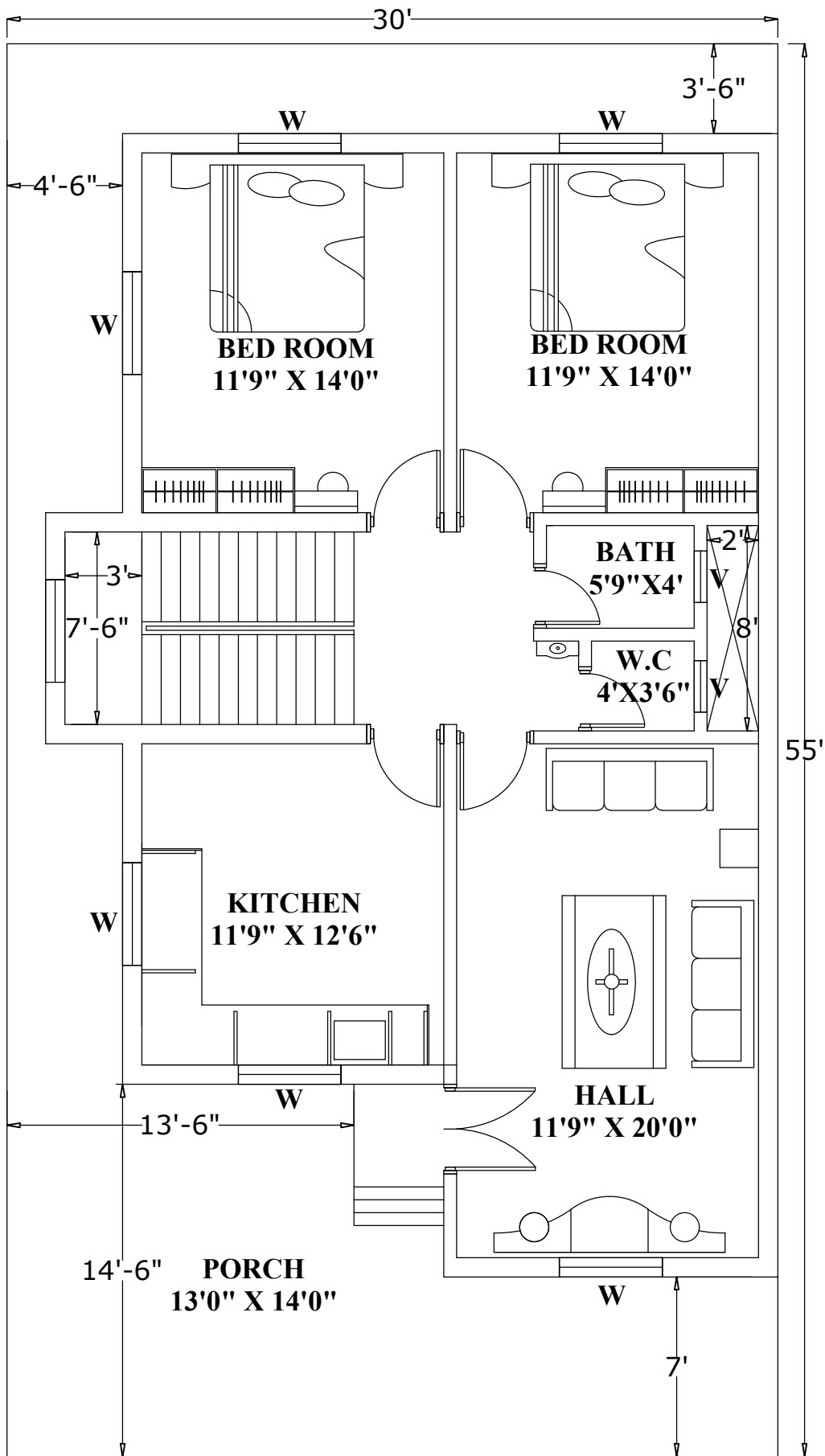




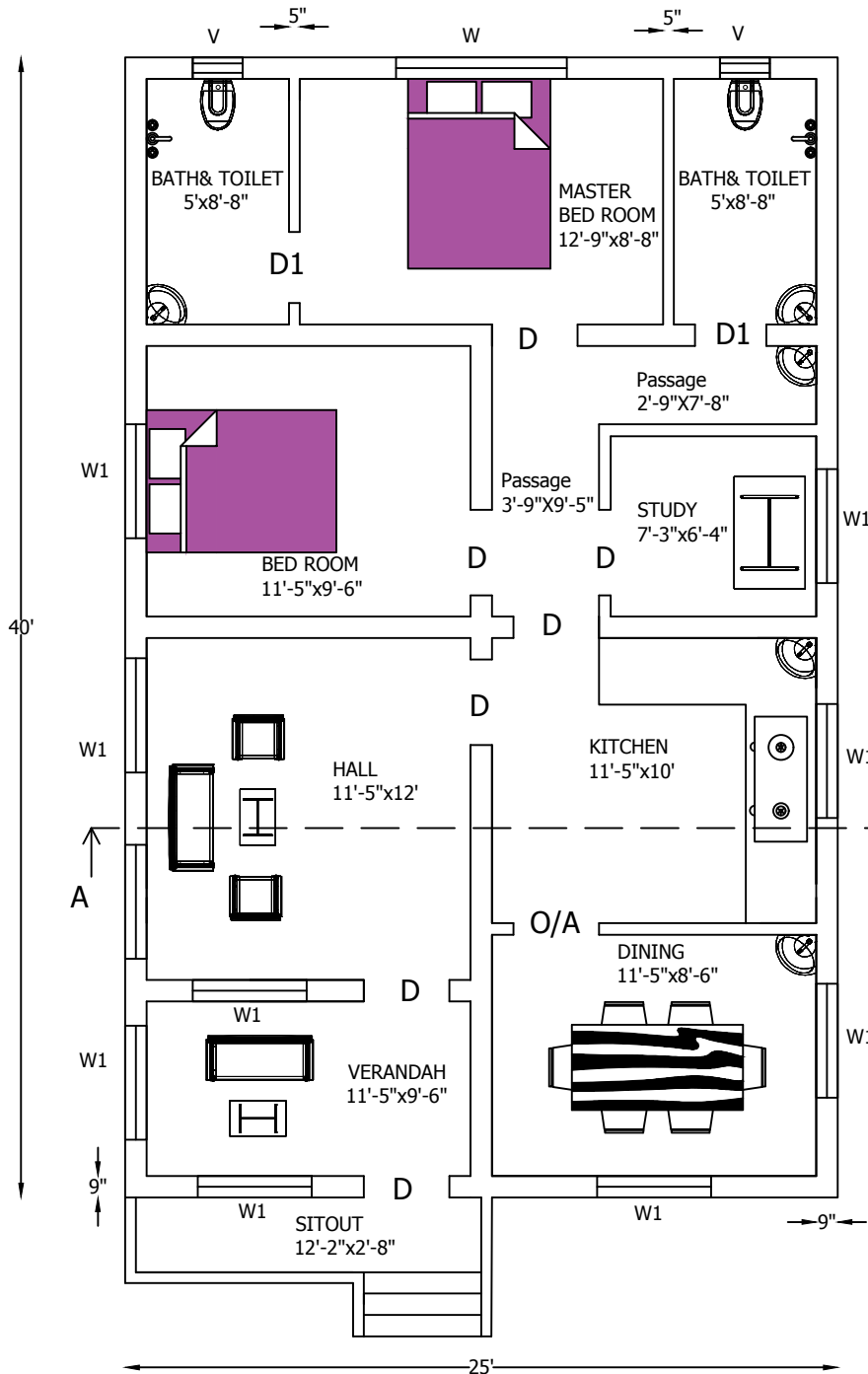
SECTION ON AA



FIRST FLOOR PLAN



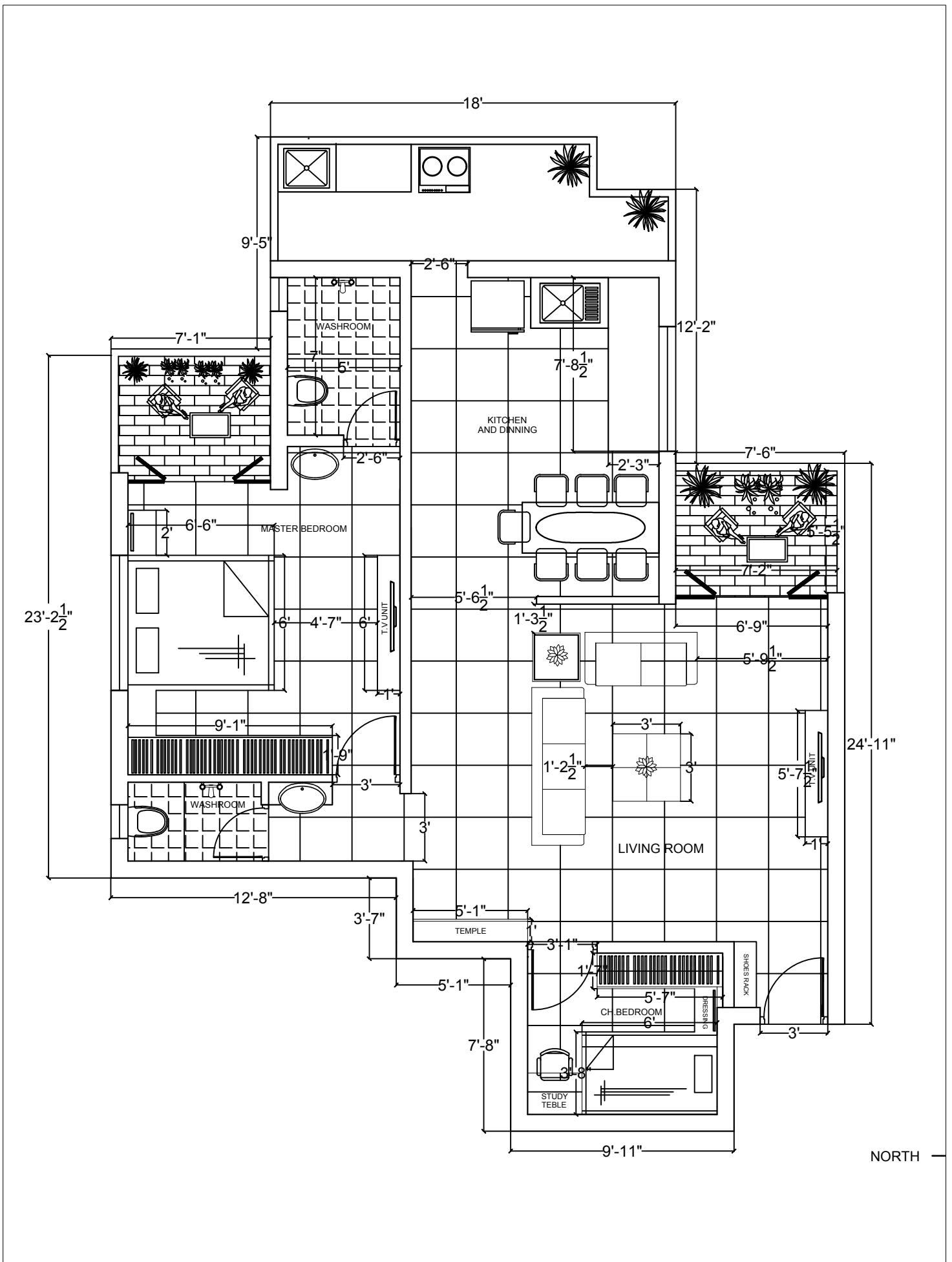
R=O=A=D



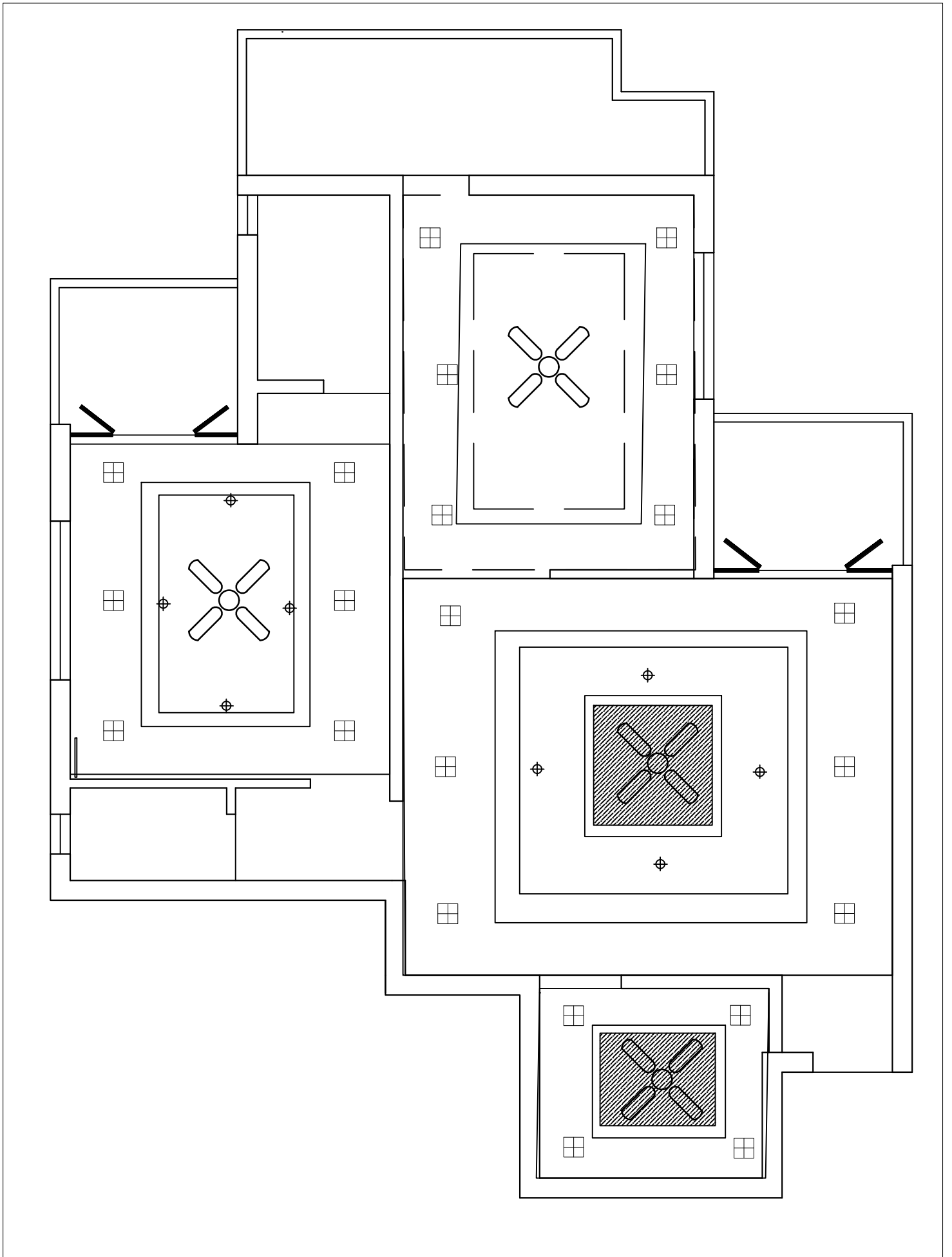
- JOINERY DETAILS:-**
- DOOR (D) - 3'x7'
 - DOOR(D1)- 2'-6"x6'-6"
 - WINDOW(W)- 6'x4'
 - WINDOW(W1)- 4'x4'
 - VENTILATOR(V)- 1'-9"x1'-9"
 - OPENING ARCH(O/A) -3'x7'

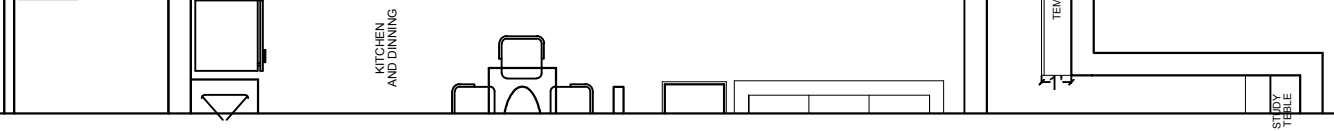
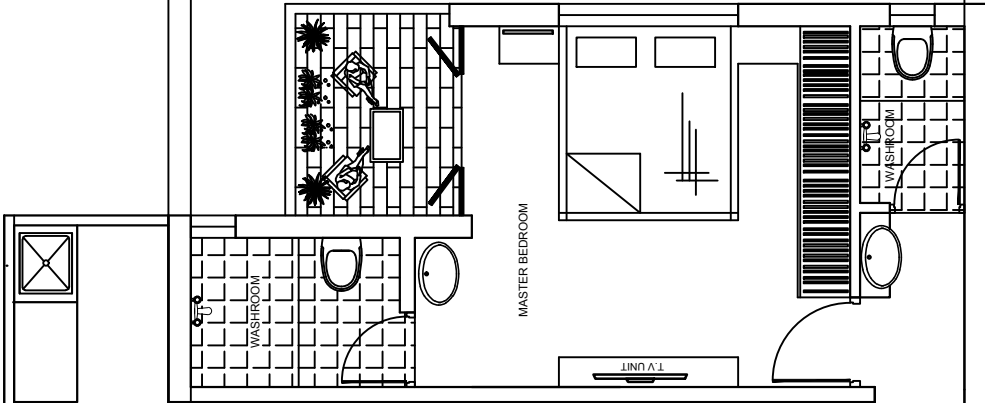
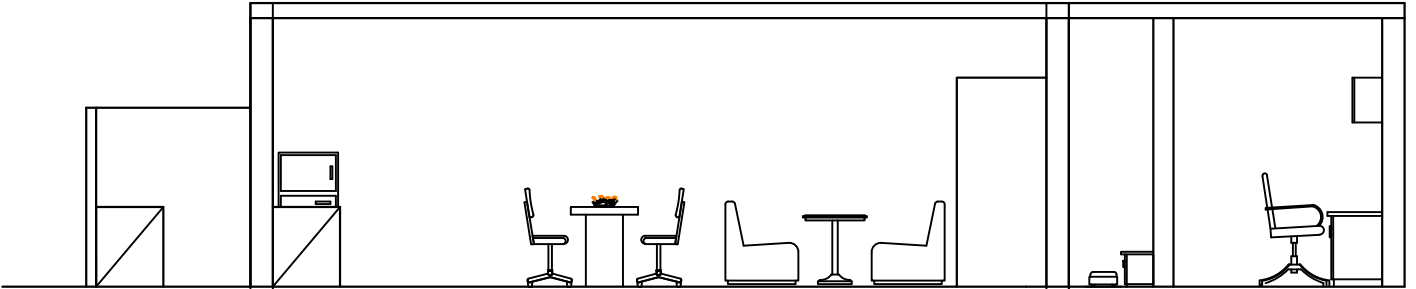
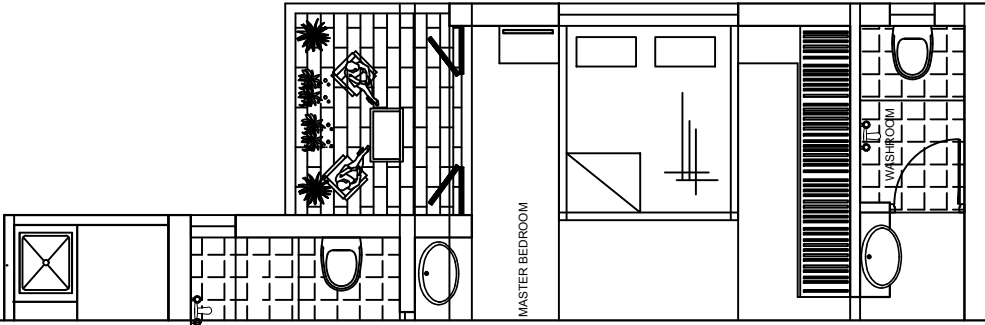
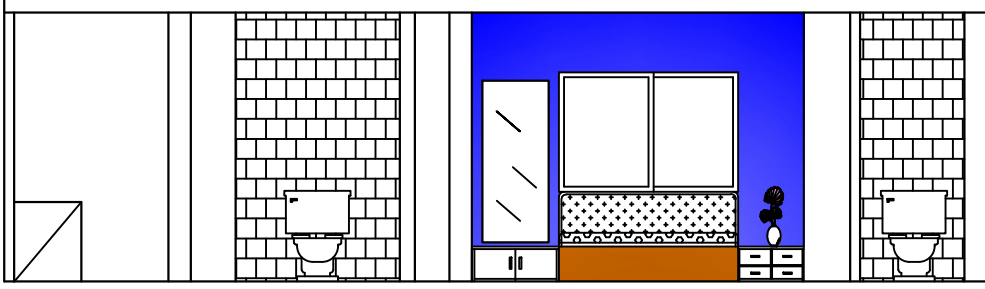
AREA DETAILS:-
 AREA OF THE SITE:1000Sq.ft

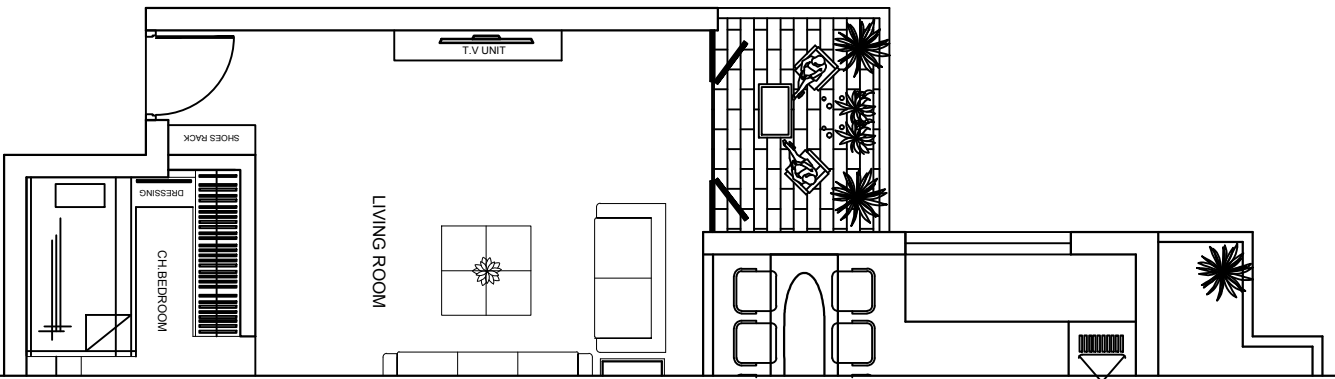
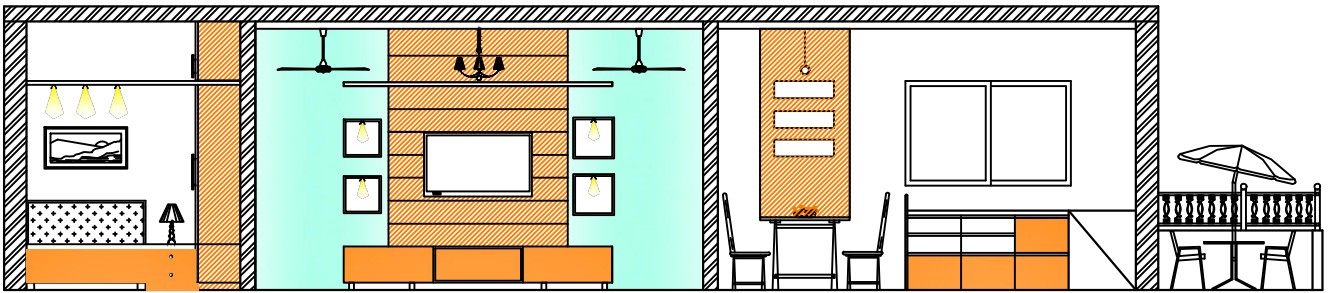
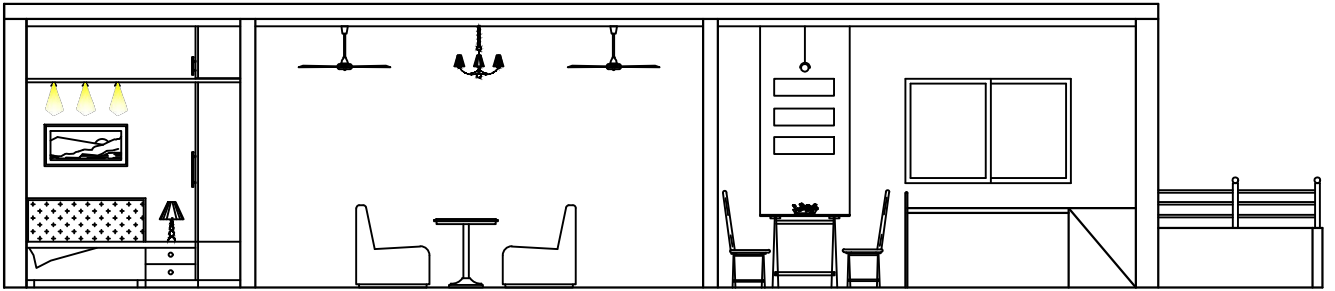
PLAN 2BKH



NORTH







60'

5'-9"

SHOP
17'-6" x 13'

SHOP
17'-6" x 10'

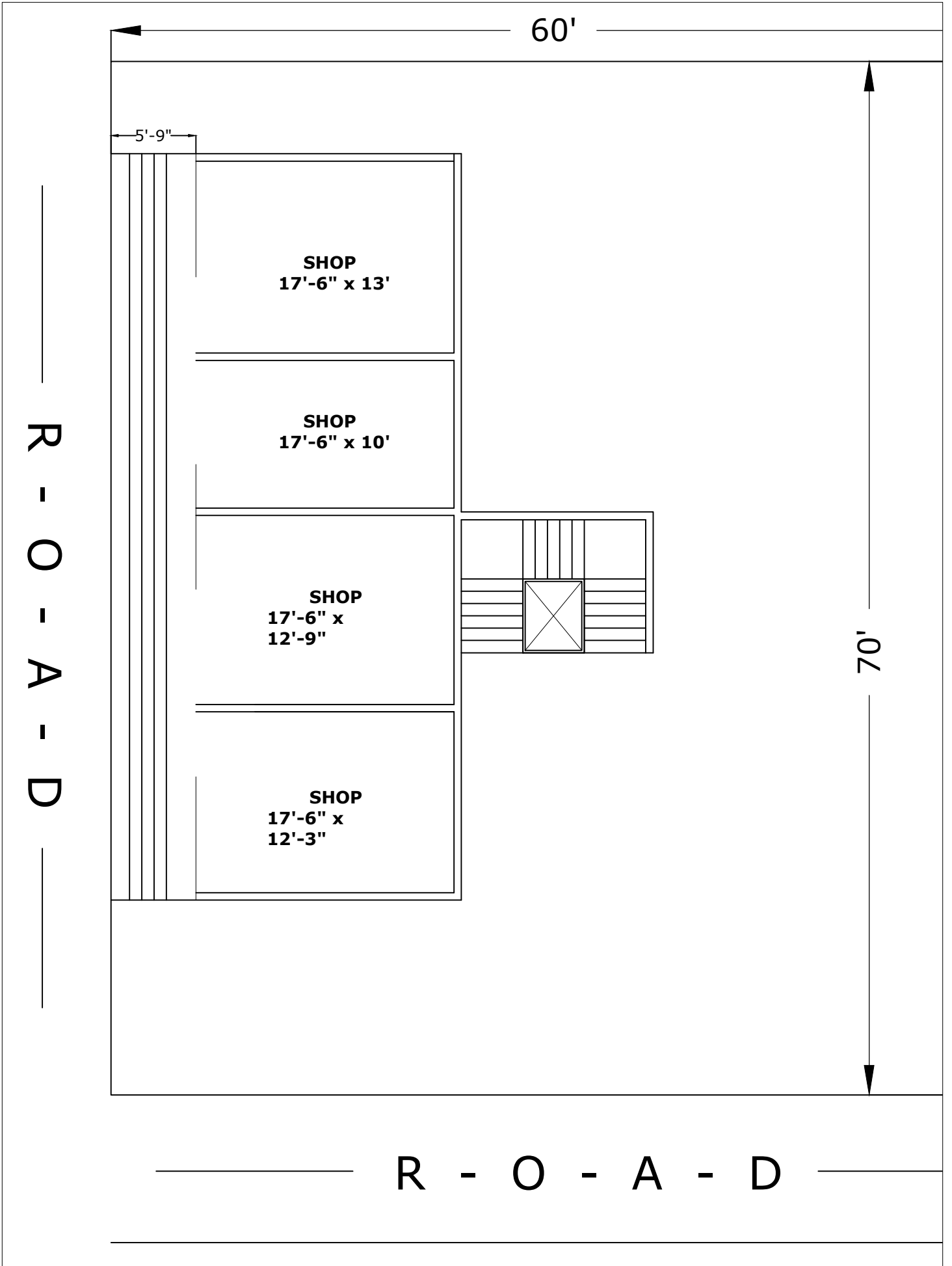
SHOP
17'-6" x
12'-9"

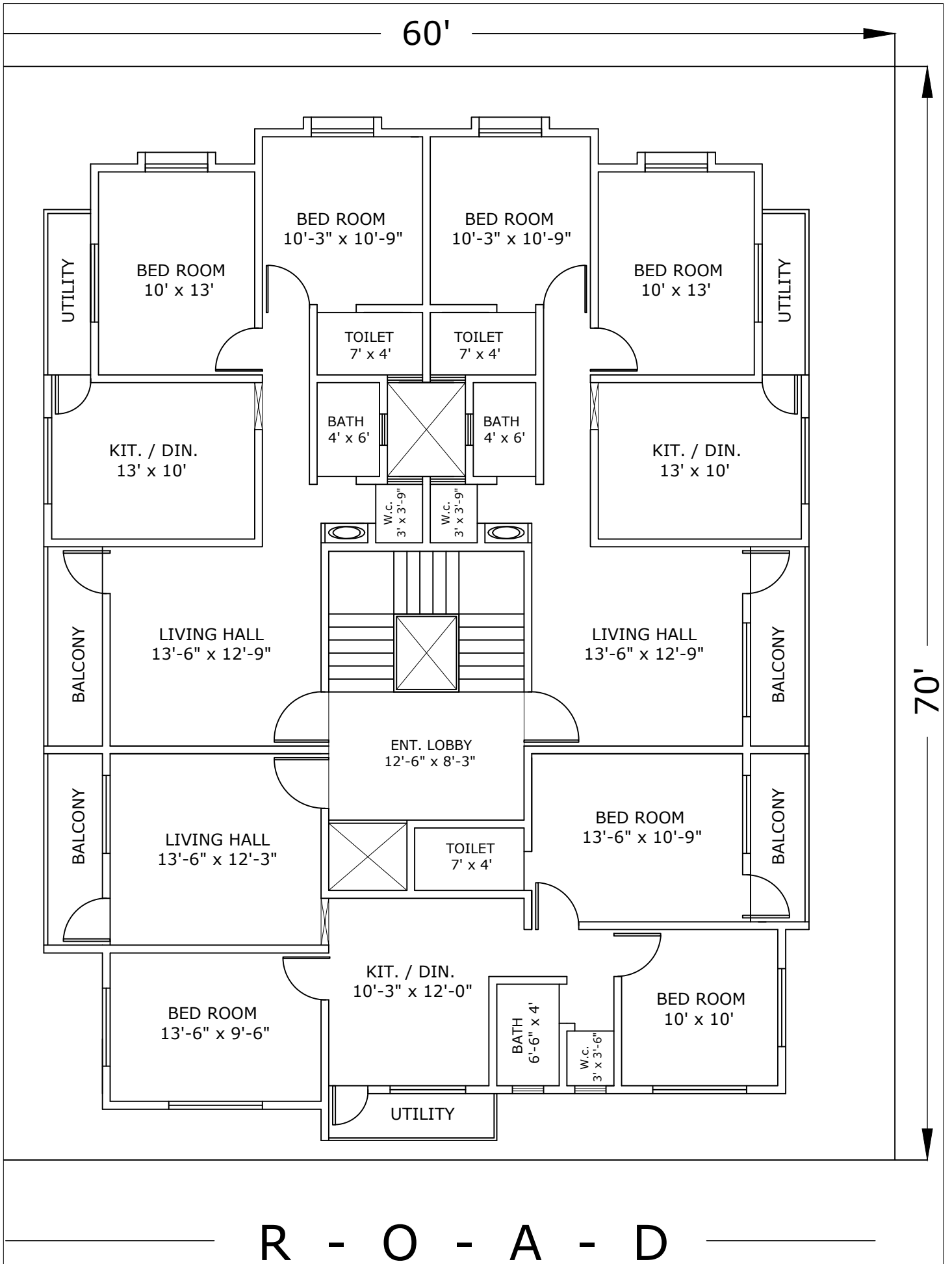
SHOP
17'-6" x
12'-3"

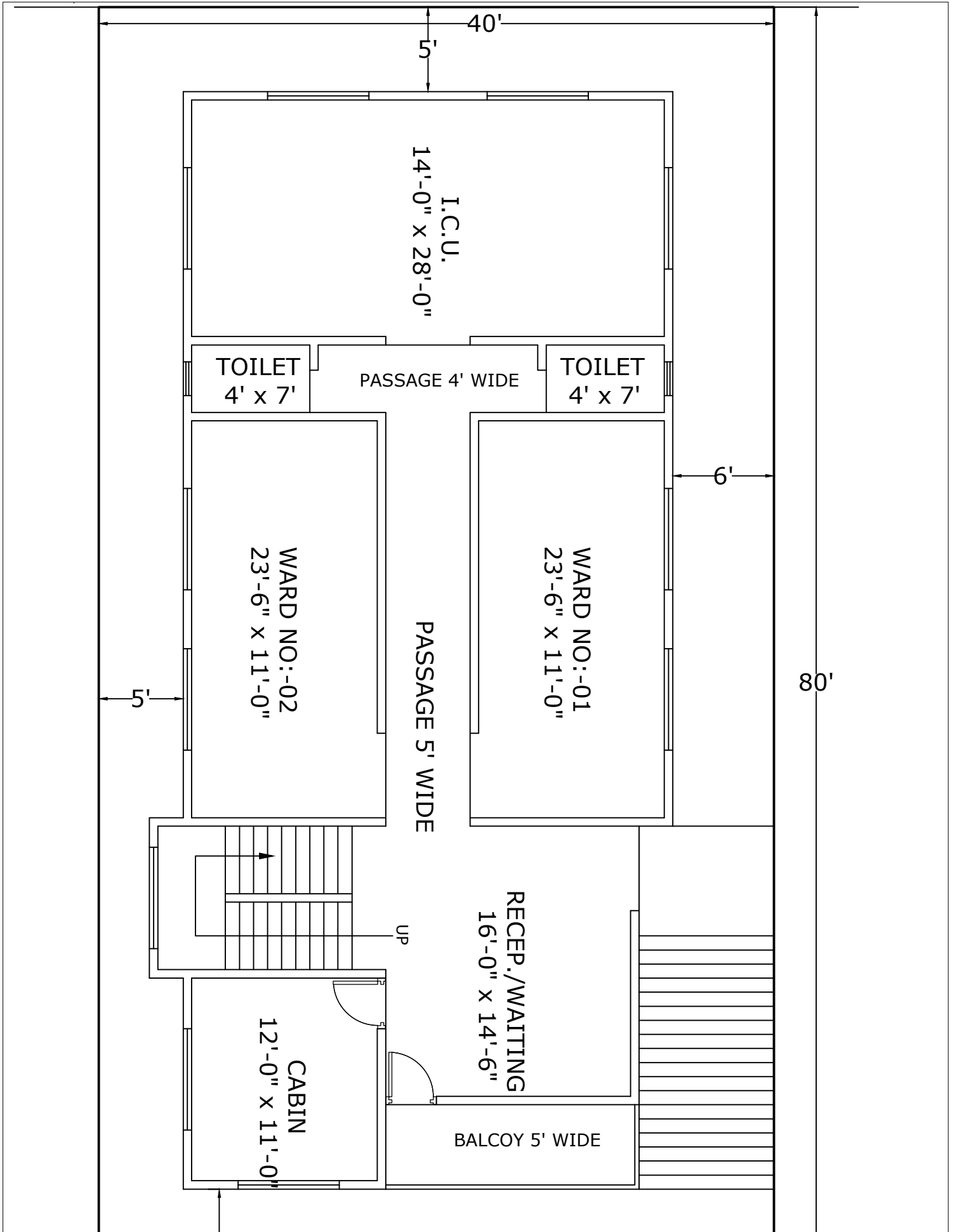
70'

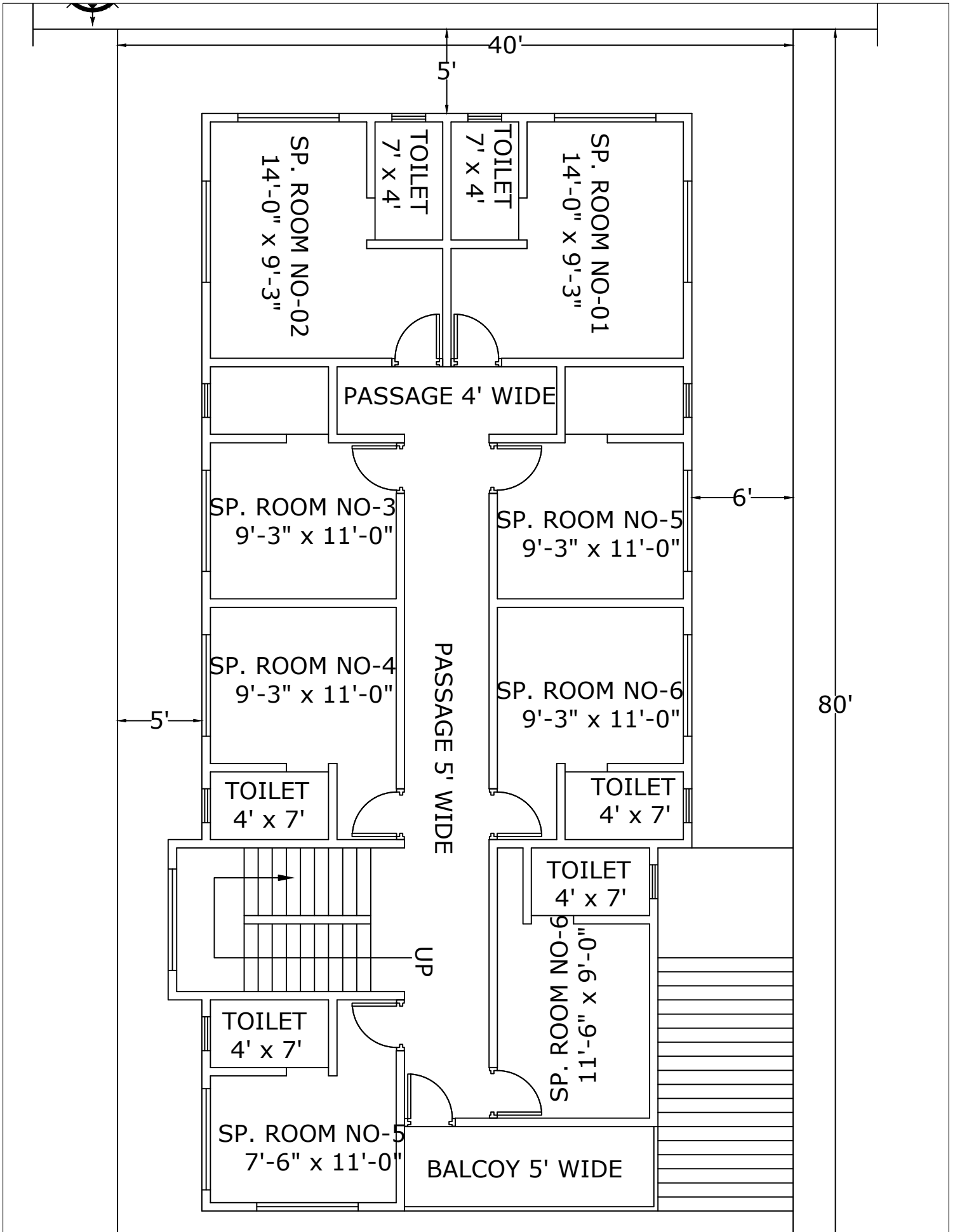
R - O - A - D

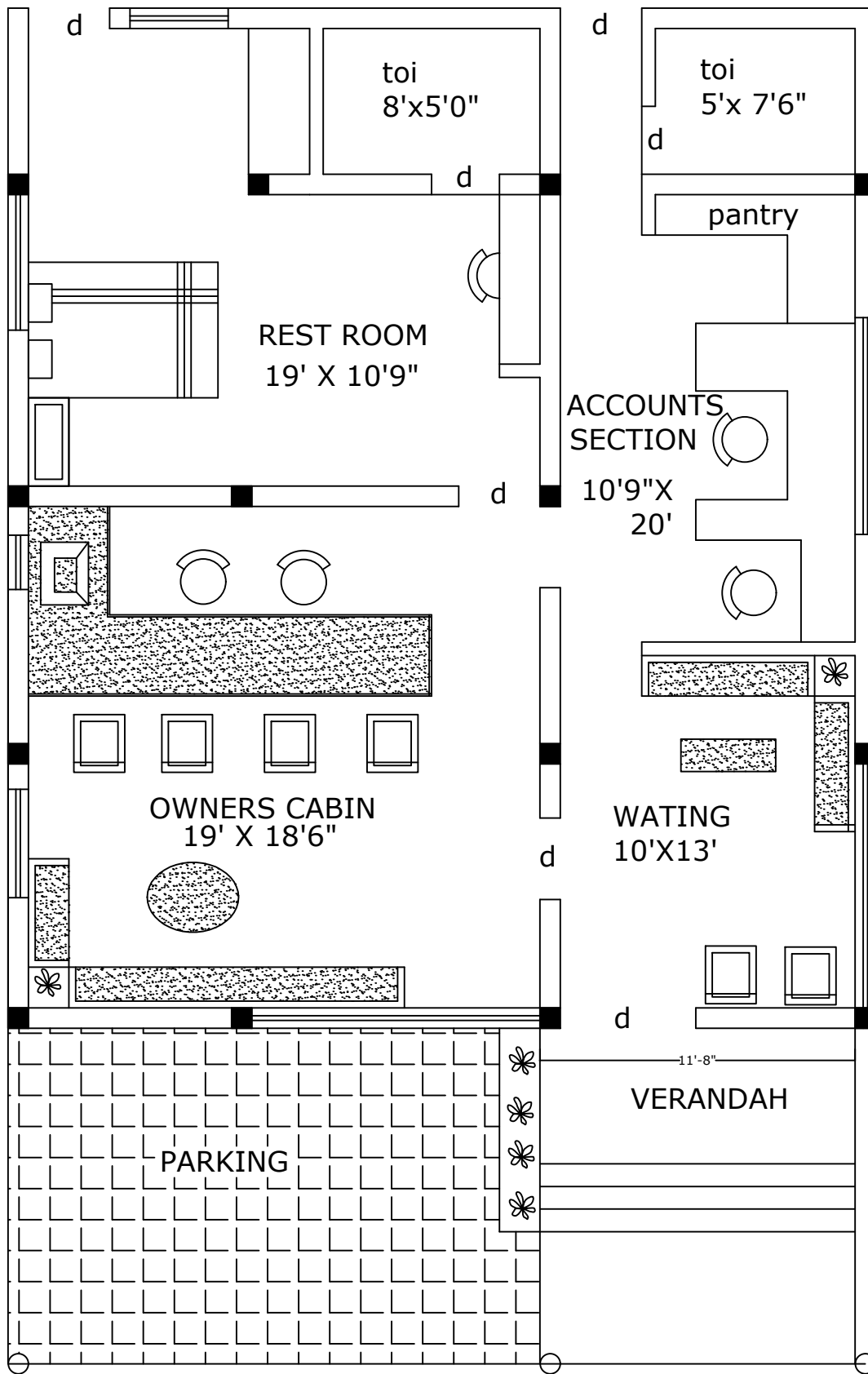
R - O - A - D





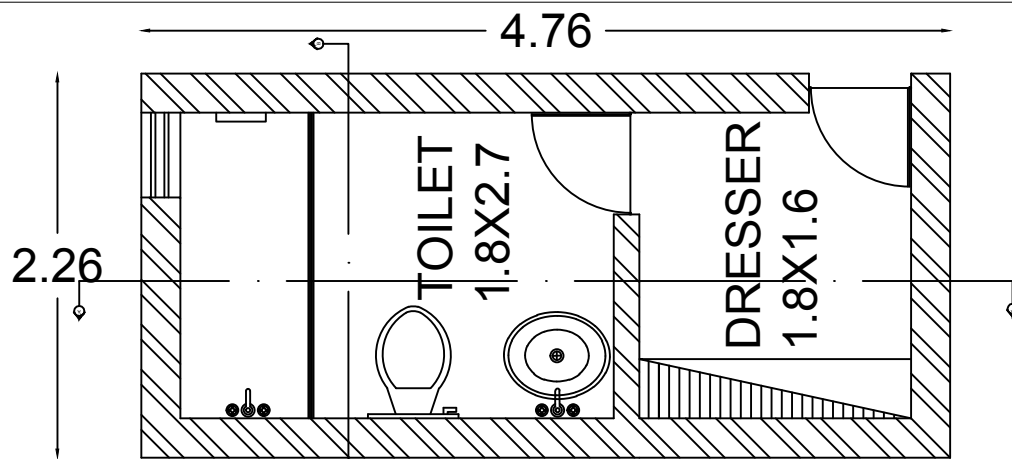




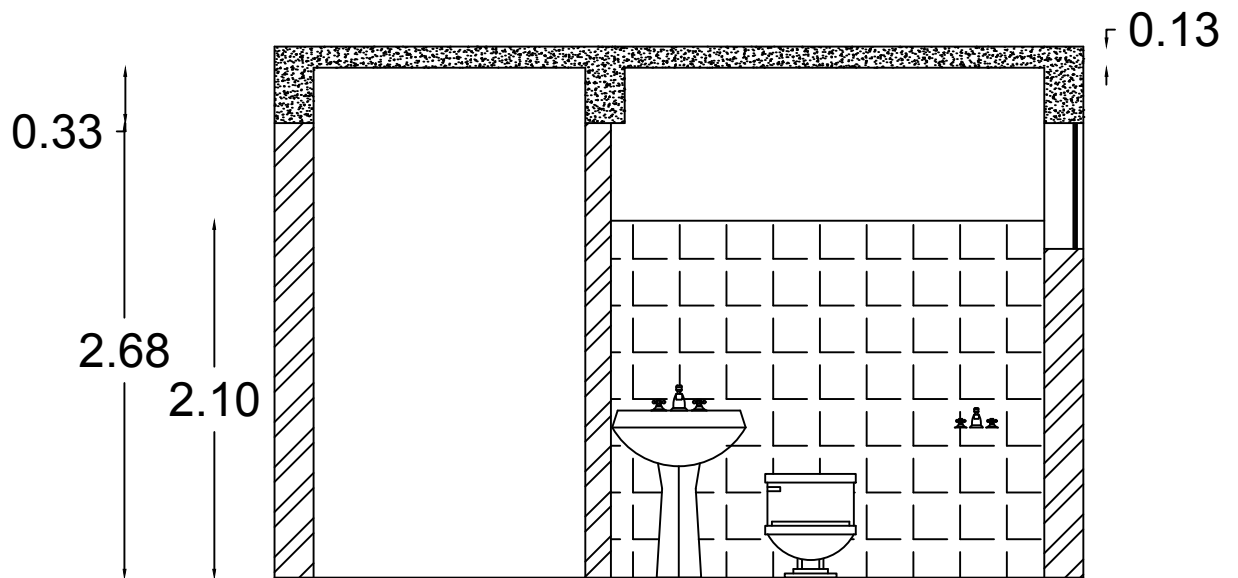


OFFICE INTERIOR

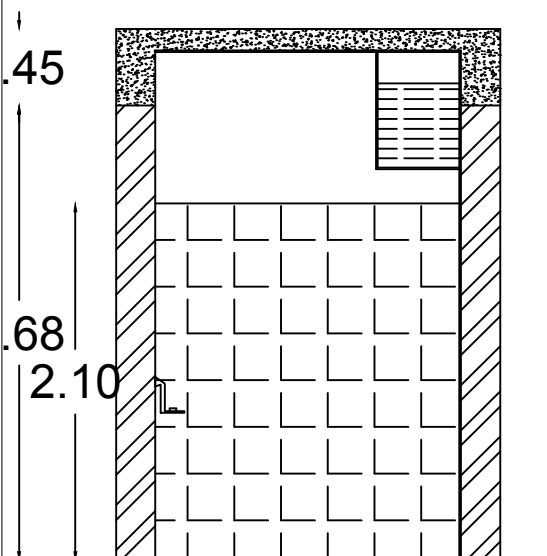




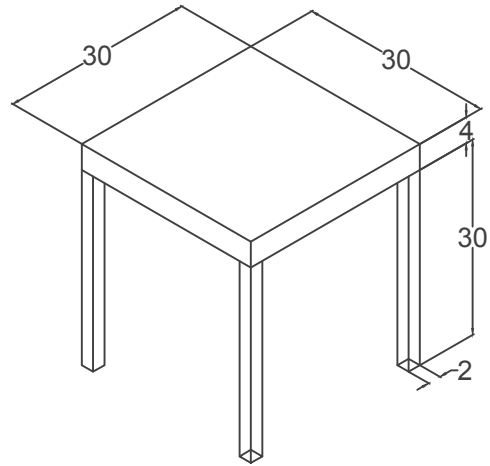
DETAIL LAYOUT PLAN
OF TOILET



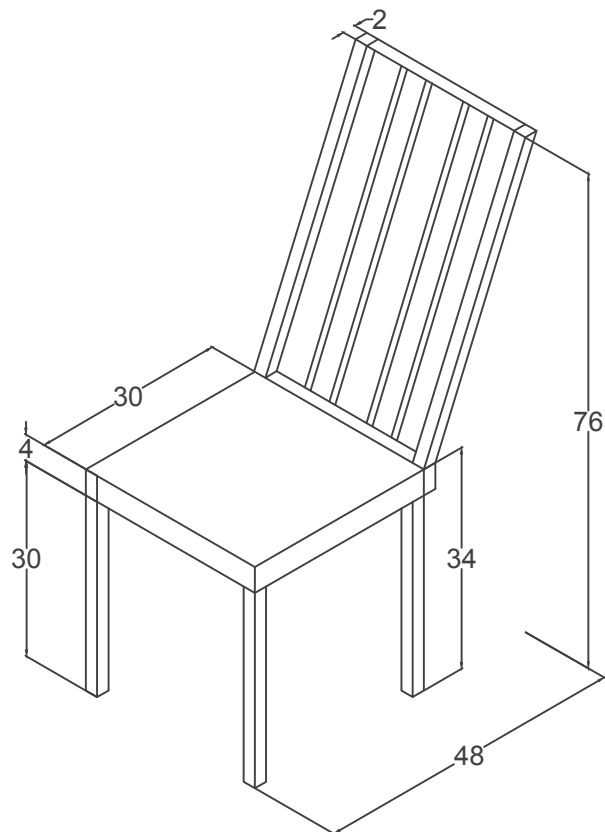
SECTION AT A-A

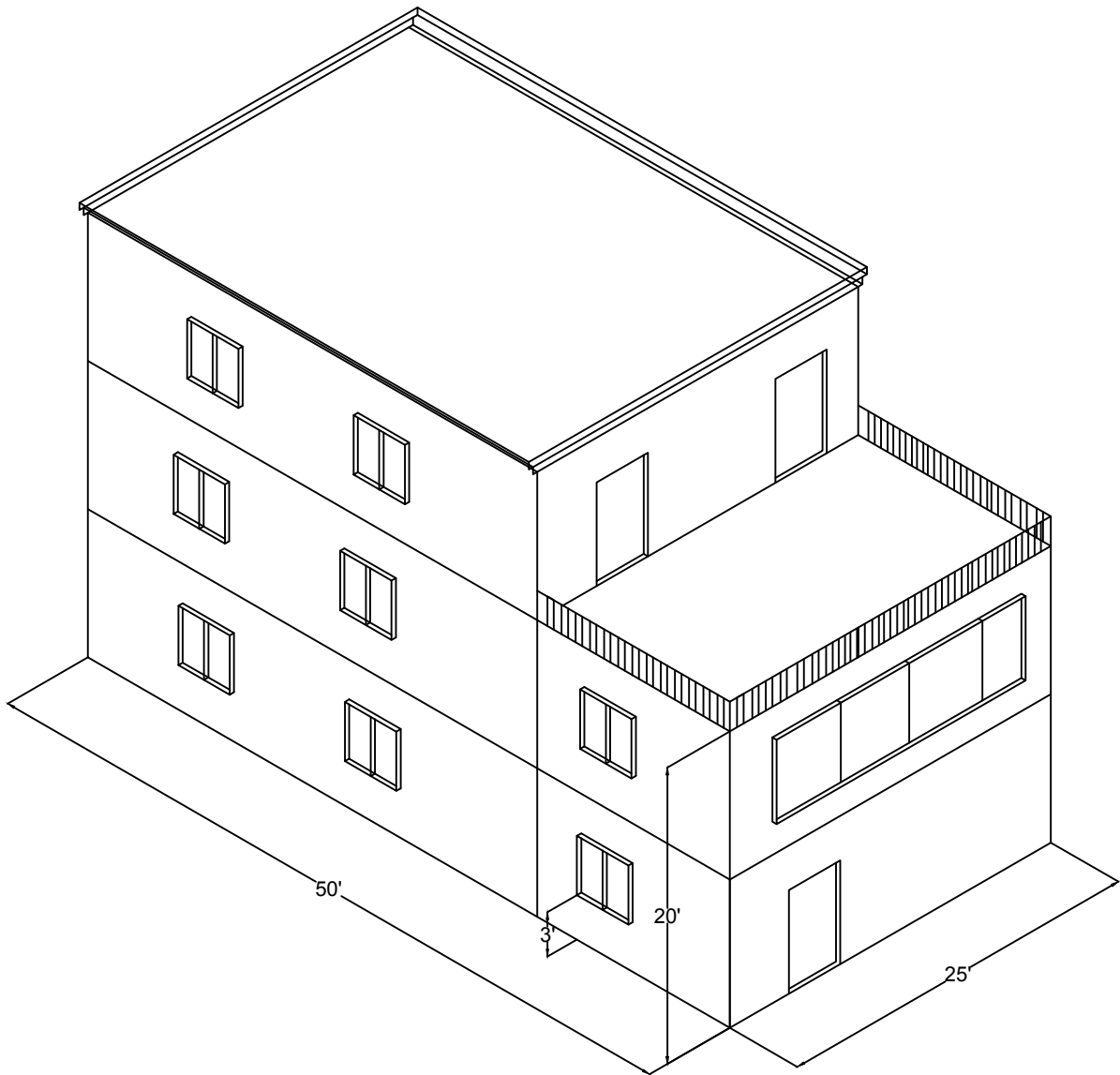


SECTION AT B-B

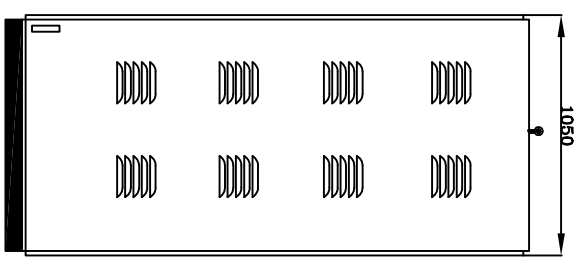
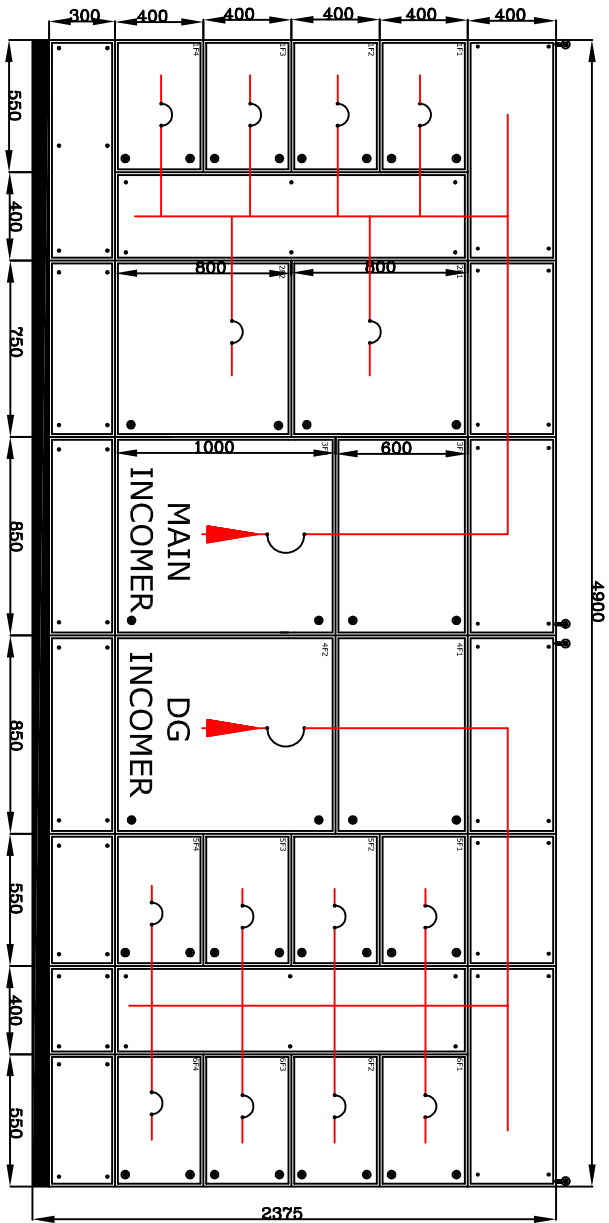


ISOMETRIC TABLE

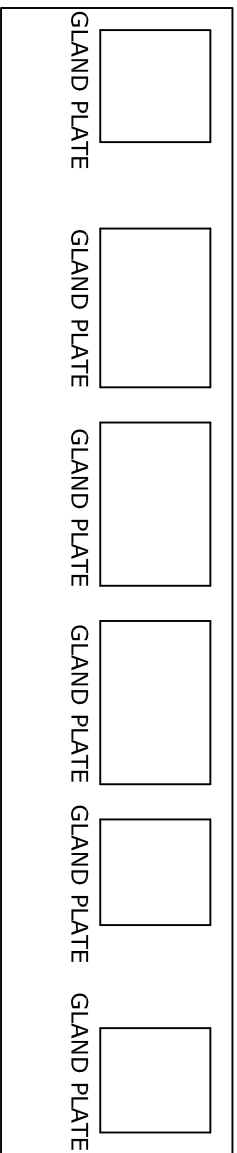




FRONT VIEW

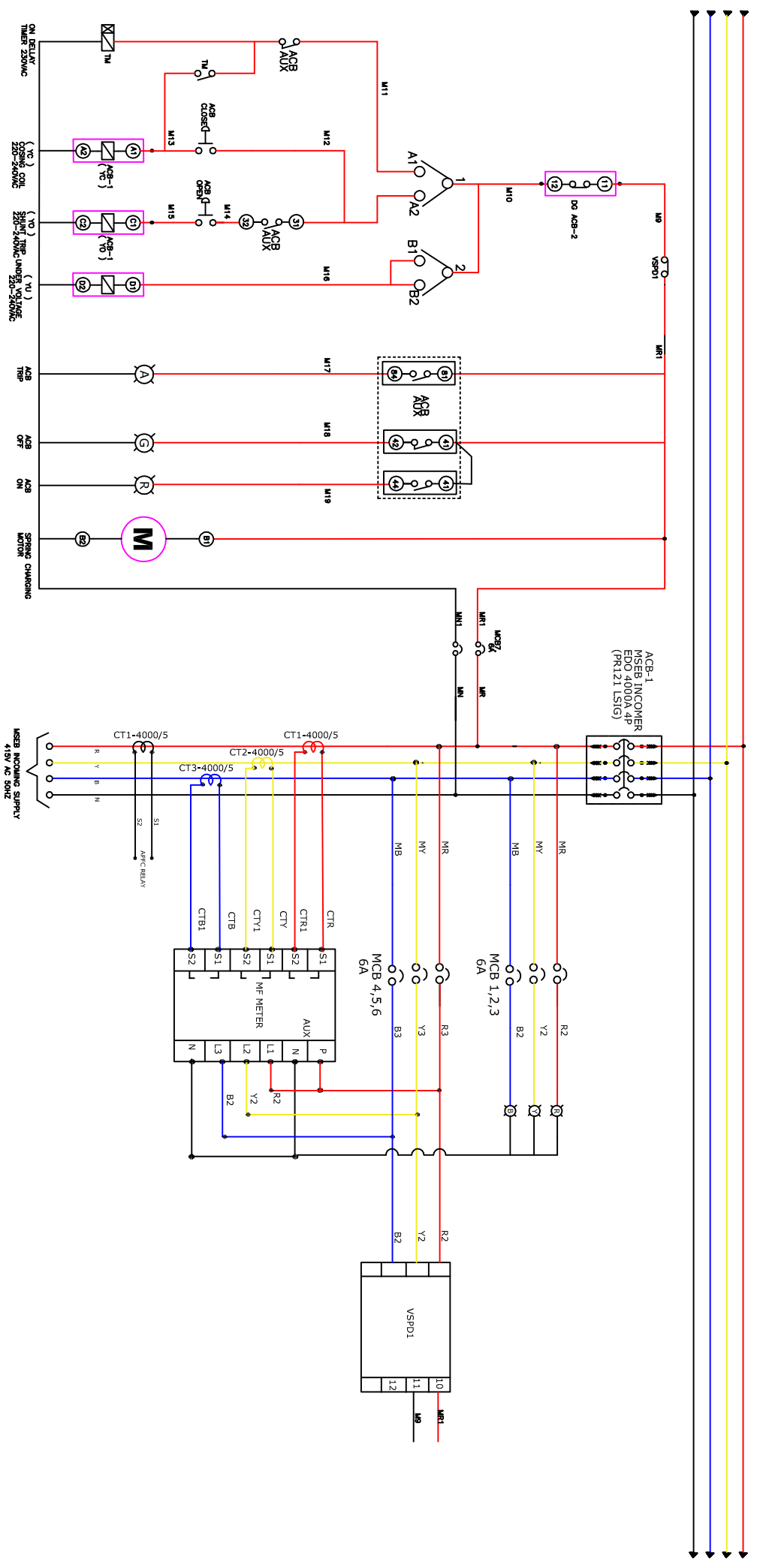


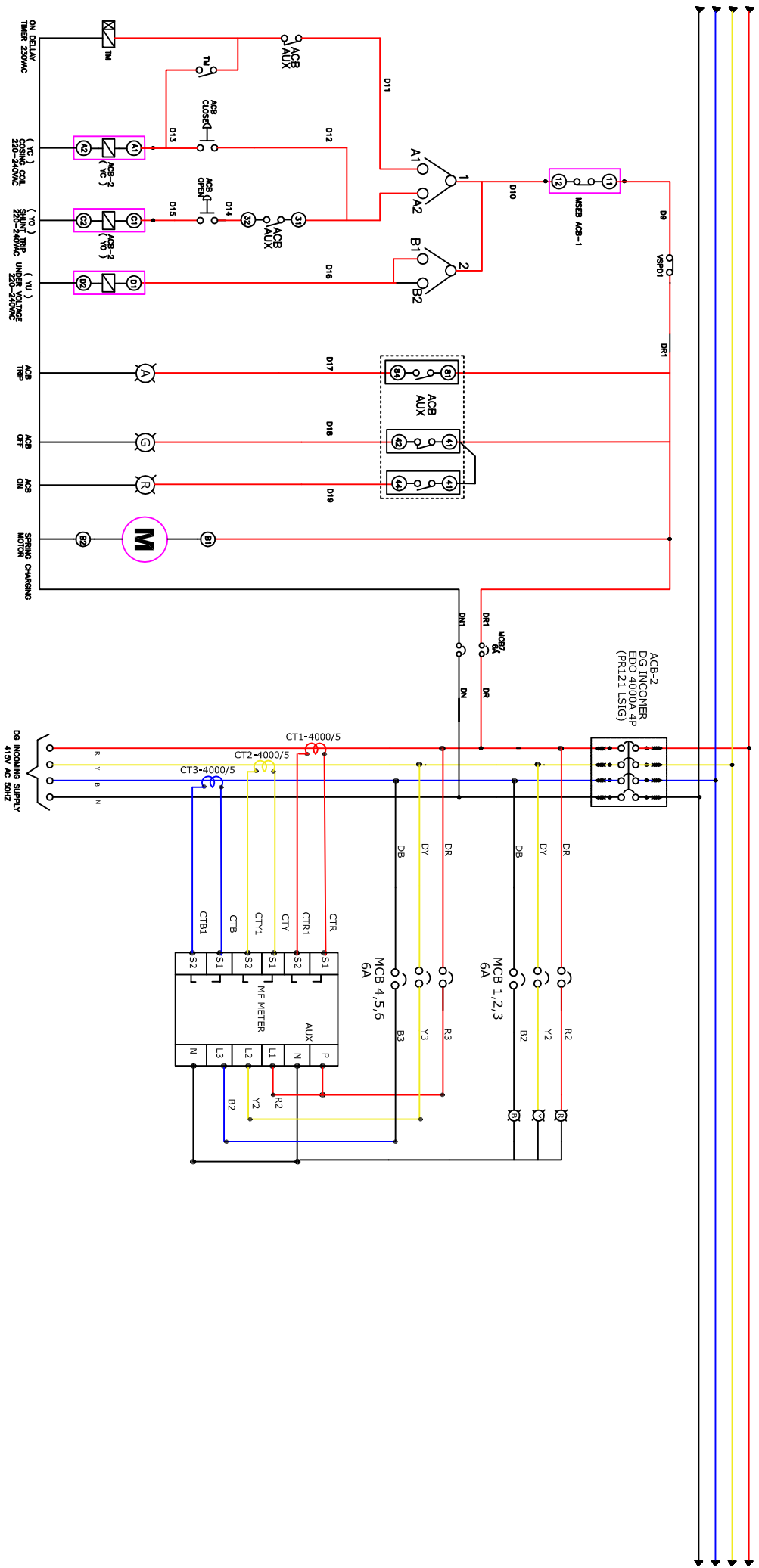
SIDE VIEW

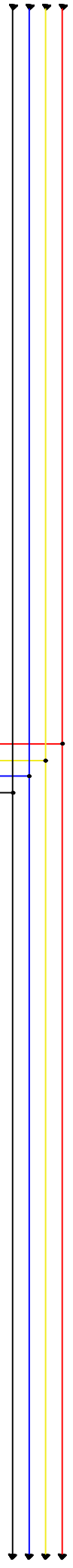
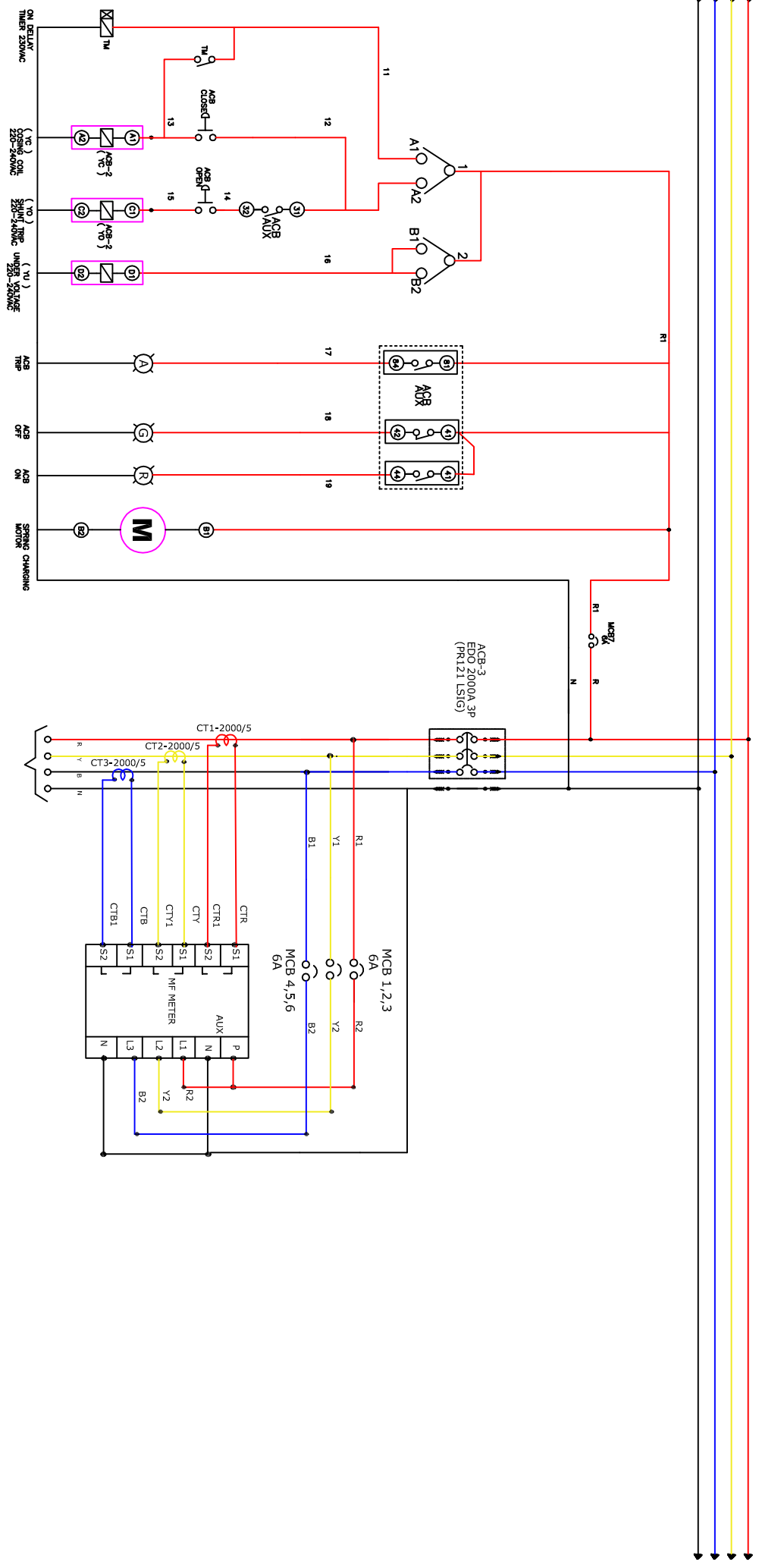


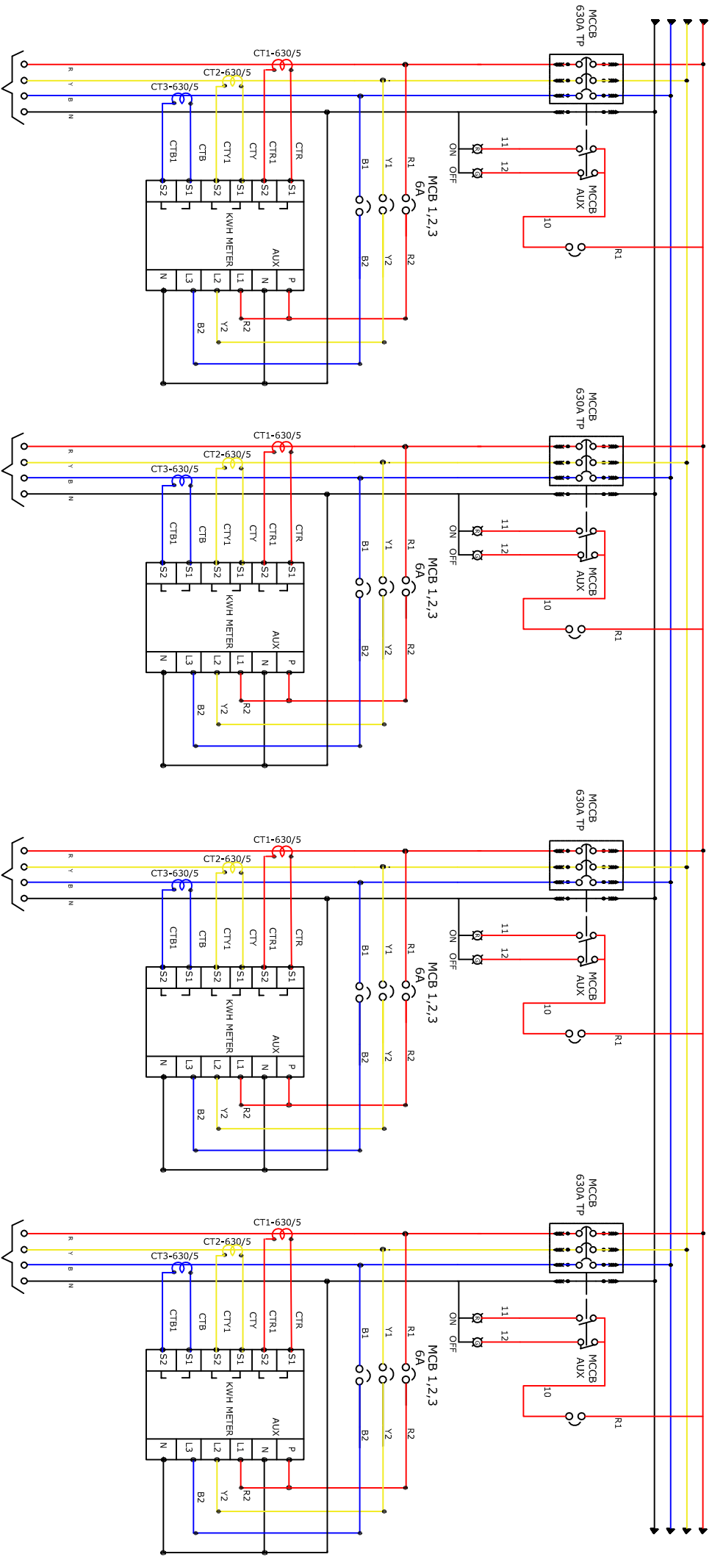
BOTTOM VIEW

NOTE-----
 MAIN BUS-----200*10
 EARTH BUS-----60*10









www.caddeskpune.com

+91-8793166470



CORE SOFTECH Pune : Hadapsar & Swaragte



ISO 9001:2015 Certified Company

CAD DESK®

TRAINING • PLACEMENT • SOFTWARE • CONSULTANCY



E Learning
Using Online
tools video, text
or audio
You Tube, Recorded Videos -LMS



**Virtual
Classroom**
E.g. Group
coaching online
ZOOM, Skype, Google Meeting

E-Learning / live class

**Ts Training
demy**
Training + Academy

Practice E Work Book

CALL FOR Any Training Courses www.caddeskpune.com www.coresoftech.com +91879316640

THANK YOU !!!!!!!